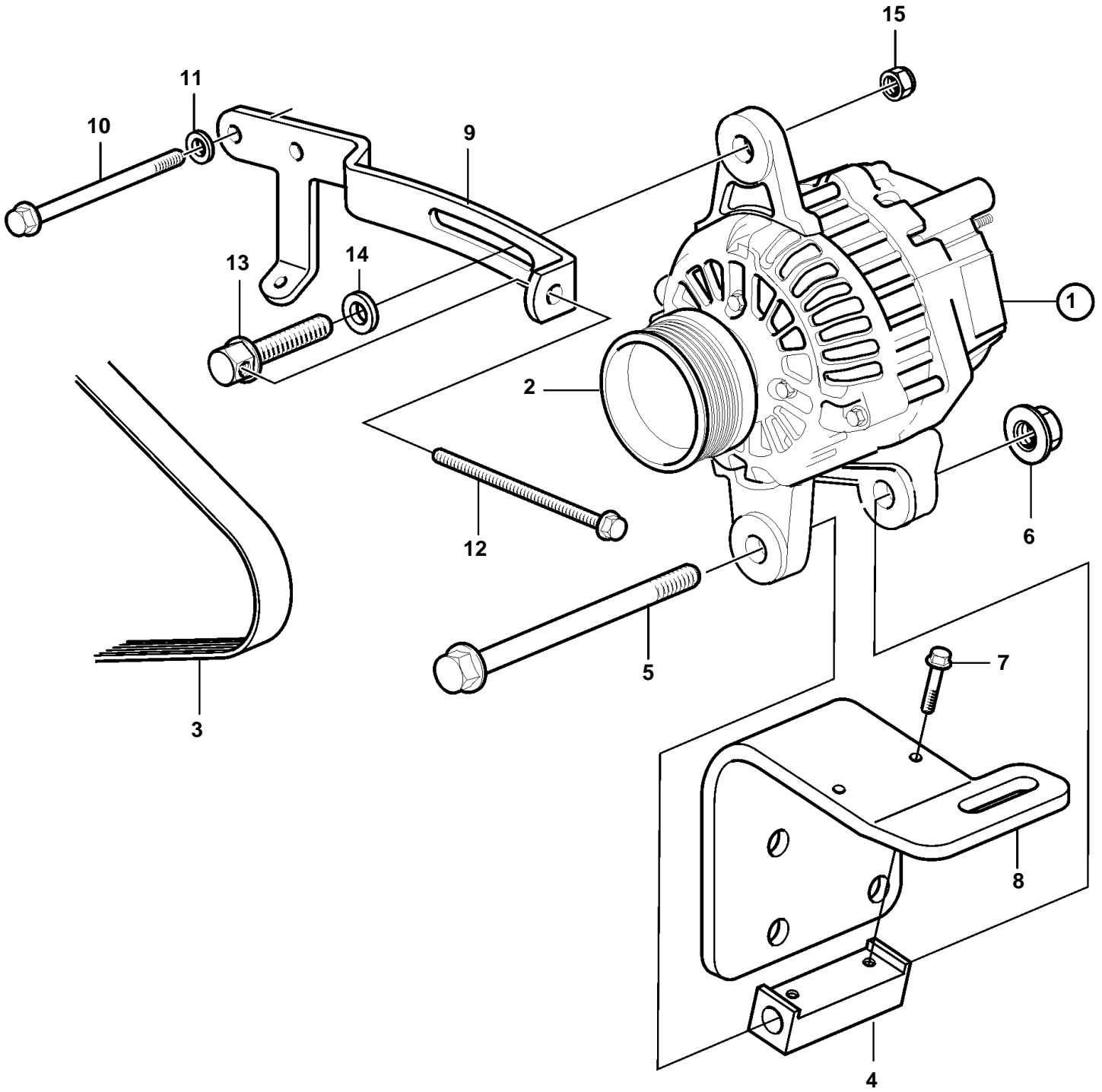


D1-13A, D1-13B, D1-20A, D1-20B, D1-13F, D1-20F



22910

D1-13A, D1-13B, D1-20A, D1-20B, D1-13F, D1-20F

| REF | PART NO. | QTY | DESCRIPTION | SEE SEC. | NOTES |
|-----|----------|-----|------------------------------|----------|------------------|
| 1 | 3819662 | 1 | Alternator | | 14V 115A |
| | 3803903 | 1 | Alternator, exch, exch | | 14V 115A |
| | | | | 9997 | |
| 2 | 3803903 | 1 | Alternator, exch · Pulley | | |
| | | | | 9997 | |
| 3 | 3809625 | 1 | Belt | | |
| 4 | 3812711 | 1 | Alternator bracket | | |
| 5 | 978447 | 1 | Flange screw | | |
| 6 | 971096 | 1 | Flange nut | | |
| 7 | 946470 | 2 | Flange screw | | |
| 8 | | 1 | Engine mountings, front | 8304 | Port side, D1-13 |
| | | 1 | Engine mountings, front | 8305 | Port side, D1-20 |
| 9 | 3809628 | 1 | Tensioning arm | | |
| 10 | 1346183 | 3 | Screw | | D1-13 |
| | 3887173 | 3 | Screw | | D1-20 |
| 11 | 861913 | 3 | Spring washer | | D1-13 |
| 12 | 21246605 | 1 | Hexagon screw | | |
| 13 | 861663 | 1 | Lock screw | | |
| 14 | 3580019 | 1 | Washer | | |
| 15 | 21246409 | 1 | Flange nut | | |