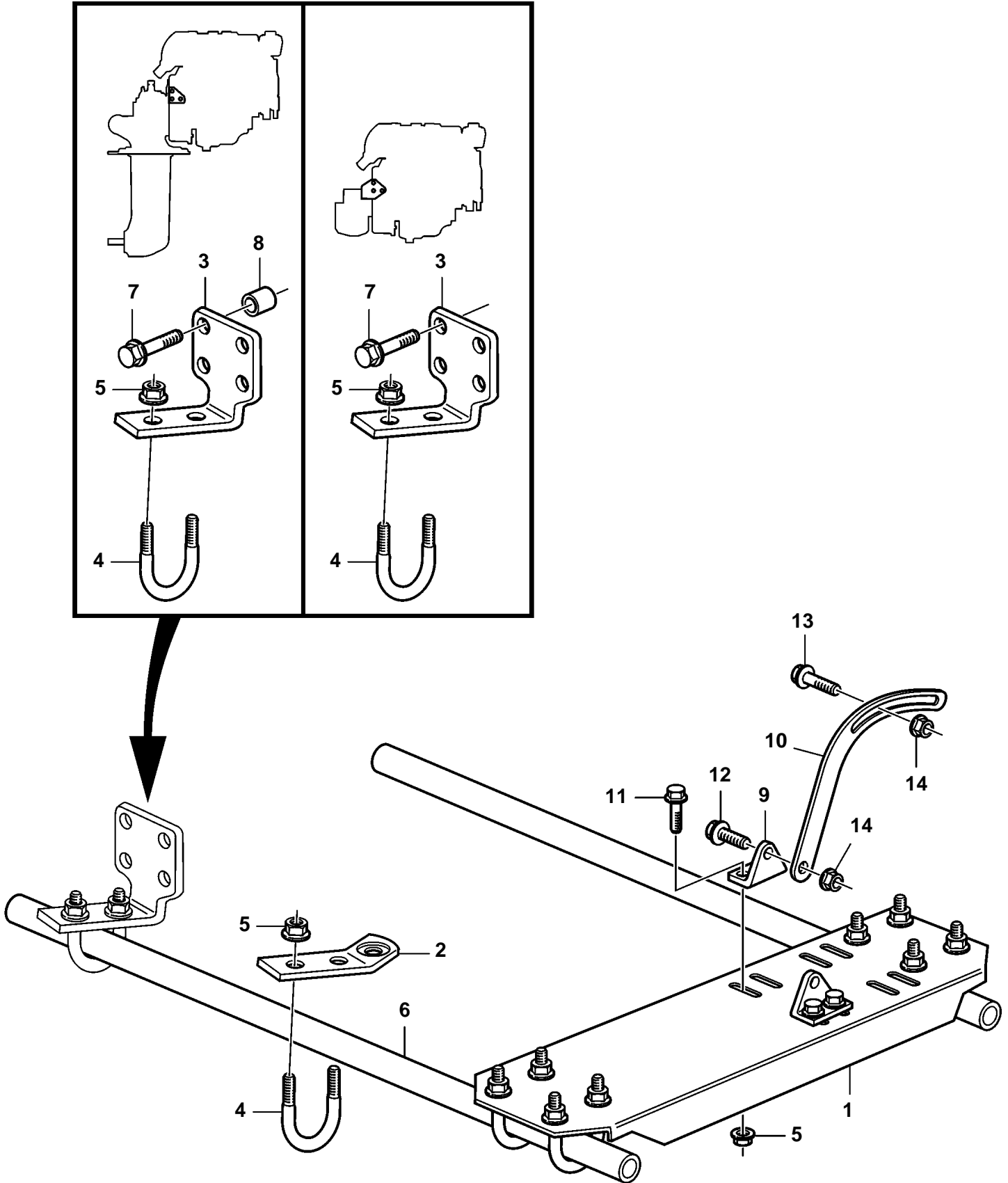


D1-20, D1-30, D2-40



22969

D1-20, D1-30, D2-40

REF	PART NO.	QTY	DESCRIPTION	NOTES
1	3581020	1	Attaching plate	
2	3581030	2	Anchorage	FRONT
3	3884176	2	Anchorage	REAR
4	3580739	8	Clamp	
5	945408	24	Flange nut	
6	3581029	1	Tube	D1-20, D1-30
	3581027	1	Tube	D2-40
7	965220	6	Flange screw	
8	827861	6	Spacer sleeve	For S-drive.
9	854607	4	Bracket	
10	854608	2	Tensioner	
11	945444	8	Flange screw	
12	946329	2	Flange screw	
13	946472	4	Screw	
14	971095	6	Nut	