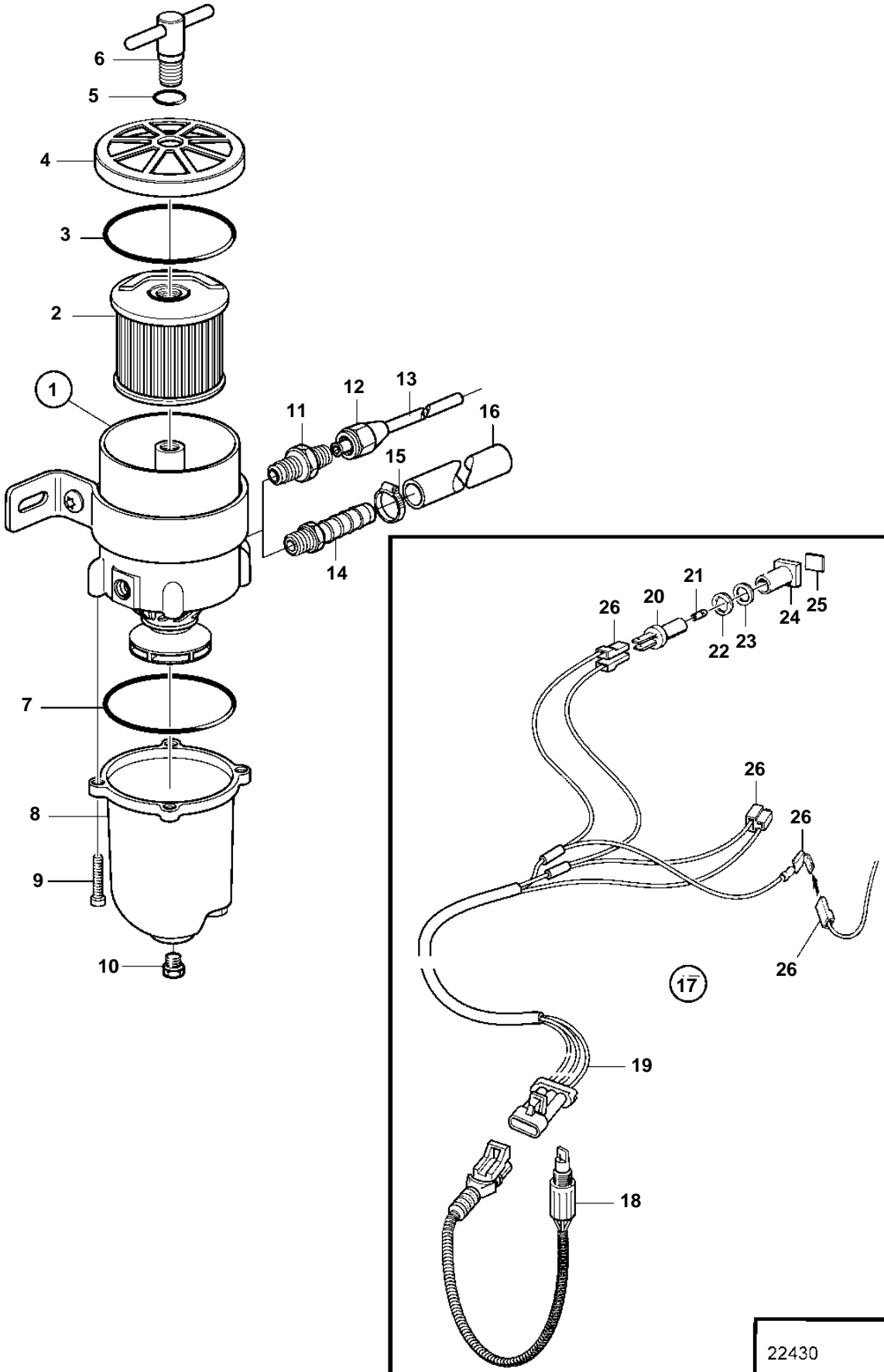


D1-13, D1-20, D1-30, D2-40



22430

D1-13, D1-20, D1-30, D2-40

| REF | PART NO. | QTY | DESCRIPTION | SEE SEC. | NOTES |
|-----|----------|-----|------------------------|----------|-----------|
| 1 | 877763 | 1 | Fuel filter | | |
| 2 | 1147147 | 1 | • Filter insert | | 2 MIKRON |
| | 861014 | 1 | Insert | | 10 MIKRON |
| | 3581760 | 1 | Filter insert | | 30 MIKRON |
| 3 | 838504 | 1 | • Gasket | | |
| 4 | | 1 | • Strainer | | |
| 5 | 838506 | 1 | • Bowl | | |
| 6 | | 1 | • Knob | | |
| 7 | 3838861 | 1 | • Gasket | | |
| 8 | 3838848 | 1 | • Bowl | | |
| 9 | 950024 | 4 | • Screw | | |
| 10 | 952075 | 1 | • Plug | | |
| 11 | 954337 | 2 | Nipple | | |
| 12 | 954323 | 2 | Cap nut | | |
| 13 | 1140062 | 2 | Copper tube | | |
| 14 | 3825000 | 2 | Nipple | | |
| 15 | 961664 | 2 | Hose clamp | | |
| 16 | 861057 | X | Fuel hose | | 3/8" |
| 17 | 1140624 | 1 | Level sensor | | |
| 18 | 3588916 | 1 | • Sender | | |
| 19 | 881774 | 1 | • Wiring harness | | |
| 20 | 808175 | 1 | • Bulb socket | | |
| 21 | 19923 | 1 | • Bulb | | 12V, 2W |
| | 182059 | 1 | • Bulb | | 24V, 3W |
| 22 | 967583 | 1 | • Retainer | | |
| 23 | 829714 | 1 | • Seal | | |
| 24 | 838455 | 1 | • Retainer | | |
| 25 | 872591 | 1 | • Symbol strip | | |
| 26 | | X | • Cables and terminals | 1963 | |