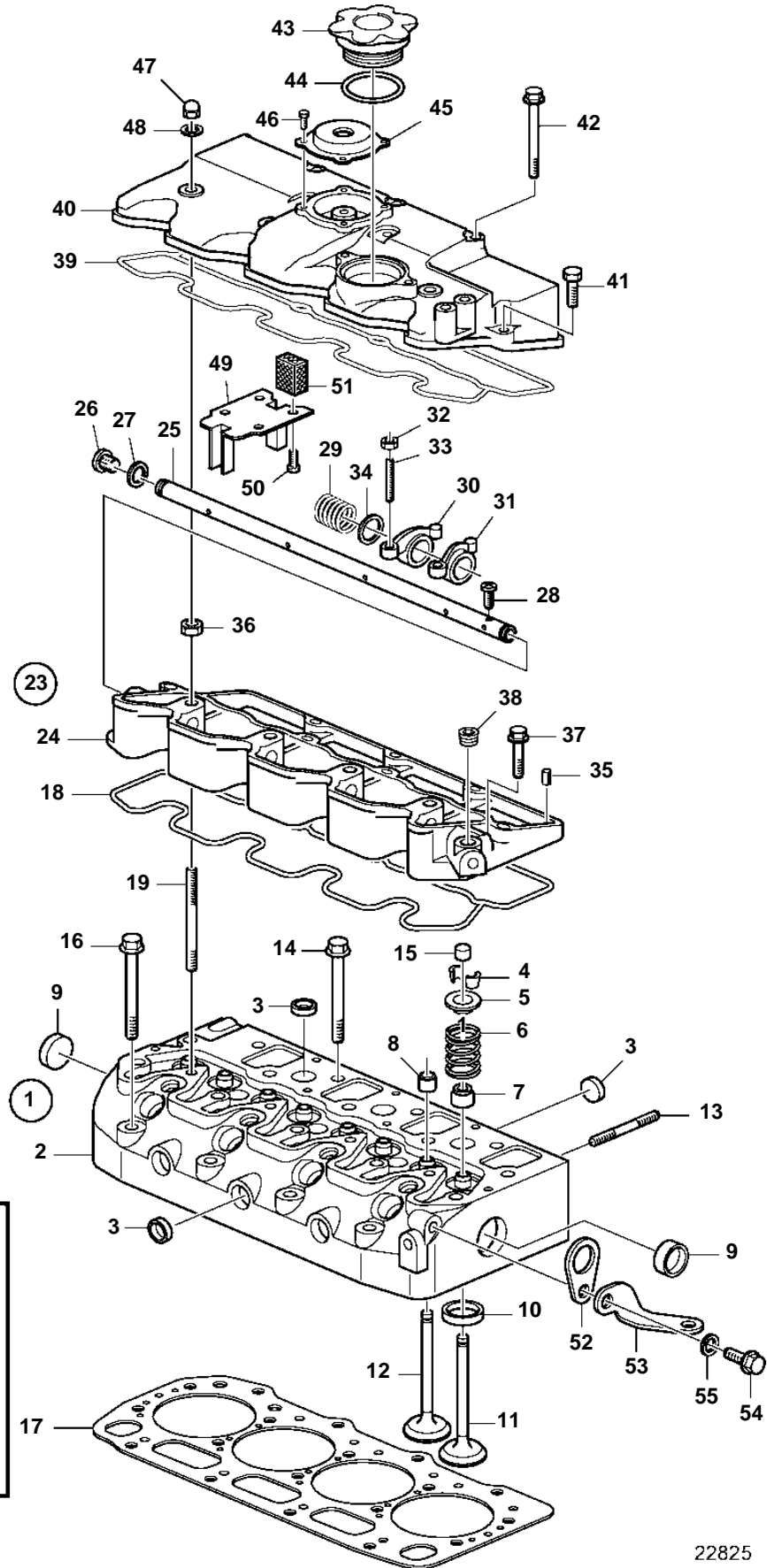


D2-40



22825

D2-40

REF	PART NO.	QTY	DESCRIPTION	SEE SEC.	NOTES
1	3803894	1	Cylinder head, exch		
2		1	· Cylinder head		
	3803894	1	· Cylinder head, exch		Exchange unit
3	3886428	9	· Cap		
4	3580308	16	· Valve cone		
5	3580307	8	· Valve spring washer		
6	3580964	8	· Valve spring		
7	3580306	4	· Valve stem seal		
8	3580305	4	· Valve stem seal		
9		2			
10	3809624	8	· Valve seat		
11	3884528	4	· Inlet valve		
12	3580304	4	· Exhaust valve		
13	3583709	2	Stud		
14	3580310	14	Screw		
15	3580481	8	Valve cap		
16	3580311	4	Screw		
17	3580843	1	Gasket		TJ=1.2 MM
		1			TJ=1.3MM
18	3812432	1	Gasket		
19	861885	4	Stud		
20	3884533	8	Push rod		
21	861827	6	Lifter		
22	888184	2	Lifter		
23	3812427	1	Rocker arm		CMPL
24			Bracket		
25	3886081	1	· Rocker arm shaft		
26	3884532	1	· Plug		
27	3884530	1	· O-ring		
28	3884531	1	· Screw		
29	3580315	3	· Spring		
30	3581292	4	· Rocker arm		
31	3581291	4	· Rocker arm		
32	861878	8	· Nut		
33	861877	8	· Adjuster screw		
34	861883	6	Shim		
35	3886069	2	· Guide pin		
36	948645	4	Lock nut		
37	3840802	2	Screw		
38	3809690	1	Plug		
39	3840843	1	Gasket		
40	3840858	1	Valve cover		
41	3840802	2	Screw		
42	861899	5	Flange screw		
43	3583541	1	Oil filler cap		
44	861897	1	O-ring		
45	3583660	1	Valve		
46	3583659	4	Screw		
47	3580241	4	Nut		
48	11992	4	Gasket		
49	3884547	1	Bracket		
50	3583663	4	Screw		
51	3580320	1	Filter		
52	3583556	1	Lifting eye		
53		1	Bracket	8338	
54	946173	2	Flange screw		
55	191172	2	Washer		