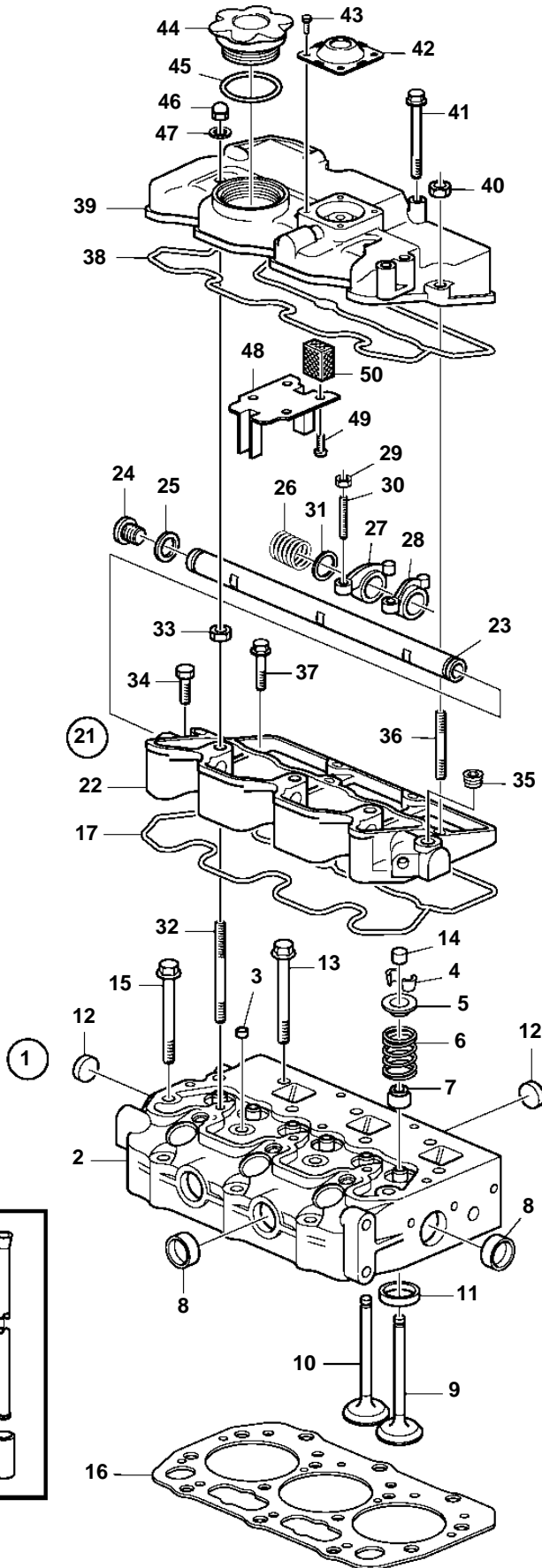


D1-20



22824

D1-20

REF	PART NO.	QTY	DESCRIPTION	NOTES
1	3803892	1	Cylinder head, exch	
2		1	· Cylinder head	
3	3886428	2	· Cap	
4	861862	6	· Valve spring washer	
5	861863	12	· Valve cone	
6	861861	6	· Valve spring	
7	861860	6	· Valve stem seal	
8	3886430	3	· Plug	
9	3884527	3	· Inlet valve	
10	861859	3	· Exhaust valve	
11	3809660	6	· Valve seat	
12	3886430	3	· Plug	
13	861866	11	· Flange screw	
14	3581293	6	Valve cap	
15	861867	3	Screw	
16	3812109	1	Gasket	
17	3812130	1	Gasket	T=1,2 MM
	3886431	1	Gasket	T=1,3 MM
18	3809670	6	Push rod	
19	861827	5	Lifter	
20	888184	1	Lifter	
21	3812102	1	Rocker arm	
22		1	· Bracket	
23	3812101	1	· Rocker arm shaft	
24	3812105	1	· Plug	
25	861851	1	· O-ring	
26	3809640	2	· Spring	
27	3809639	3	· Rocker arm	
28	3809638	3	· Rocker arm	
29	861878	6	· Nut	
30	861877	6	· Adjuster screw	
31	861883	4	Shim	
32	3809663	3	· Stud	
33	945407	3	Flange nut	
34	3840802	2	Screw	
35	3809690	1	Plug	
36		2	Stud	
37	3840802	2	Screw	
38	3812131	1	Gasket	
39	3812107	1	Valve cover	
40	945407	2	Flange nut	
41	3809669	3	Screw	
42	3809668	1	Valve	
43	3583659	4	Screw	
44	3583541	1	Oil filler cap	
45	861897	1	O-ring	
46	3812108	3	Cap nut	
47	3840804	3	Sealing washer	
48		1		
49	3583663	4	Screw	
50		1		