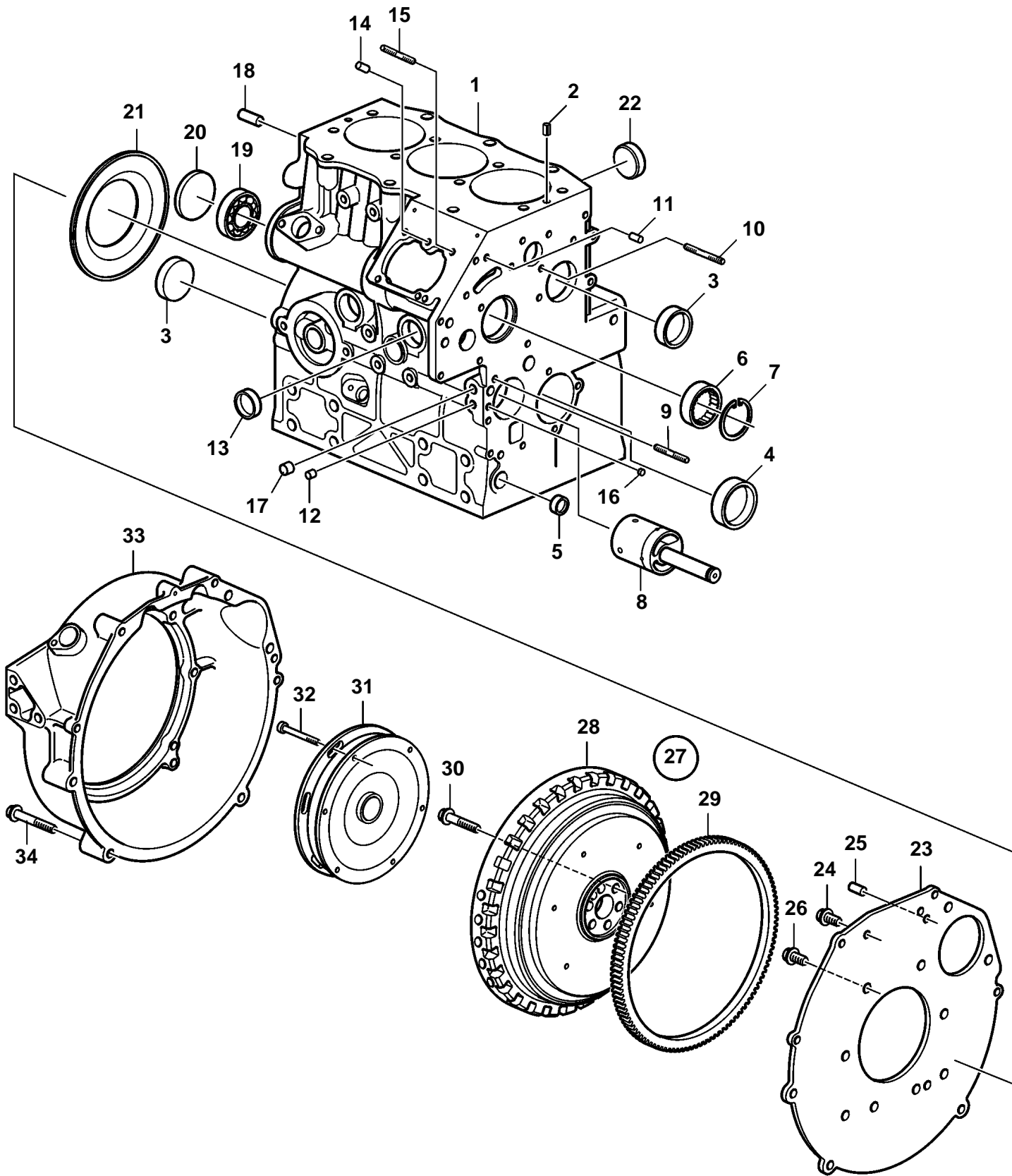


D1-30



22644

D1-30

REF	PART NO.	QTY	DESCRIPTION	SEE SEC.	NOTES
1	3840805	1	Cylinder block		
2	861818	2	Spring pin		
3	3580282	2	Plug		
4	3812412	1	Main bearing		
5	861801	2	Plug		
6	861814	1	Bearing		
7	3580226	1	Lock ring		
8	3580283	1	Shaft		
9	3583709	1	Stud		
10	3583708	1	Stud		
11		2	Pin		
12	3807215	4	Plug		
13	3580281	1	Plug		
14		2	Pin		
15	3812420	2	Stud		
16	861818	2	Spring pin		
17	861806	4	Plug		
18		2	Pin		
19	861812	1	Bearing		
20	861813	1	Expansion plug		
21	3812417	1	Seal		
22	861803	2	Plug		
23	3818600	1	Plate		
24	946440	1	Flange screw		
25		2	Pin		
26	946441	8	Screw		
27	3840879	1	Flywheel		COMPLETE
28		1	· Flywheel		
29	3580354	1	· Gear ring		
30	3580355	6	Screw		
31	3582409	1	Vibration damper		
			Bulletin 43-23	43-23-EN	New Parts MD2010-2040D
32	959211	6	· Screw		
33	3818550	1	Flywheel housing		
34	965216	4	Screw		