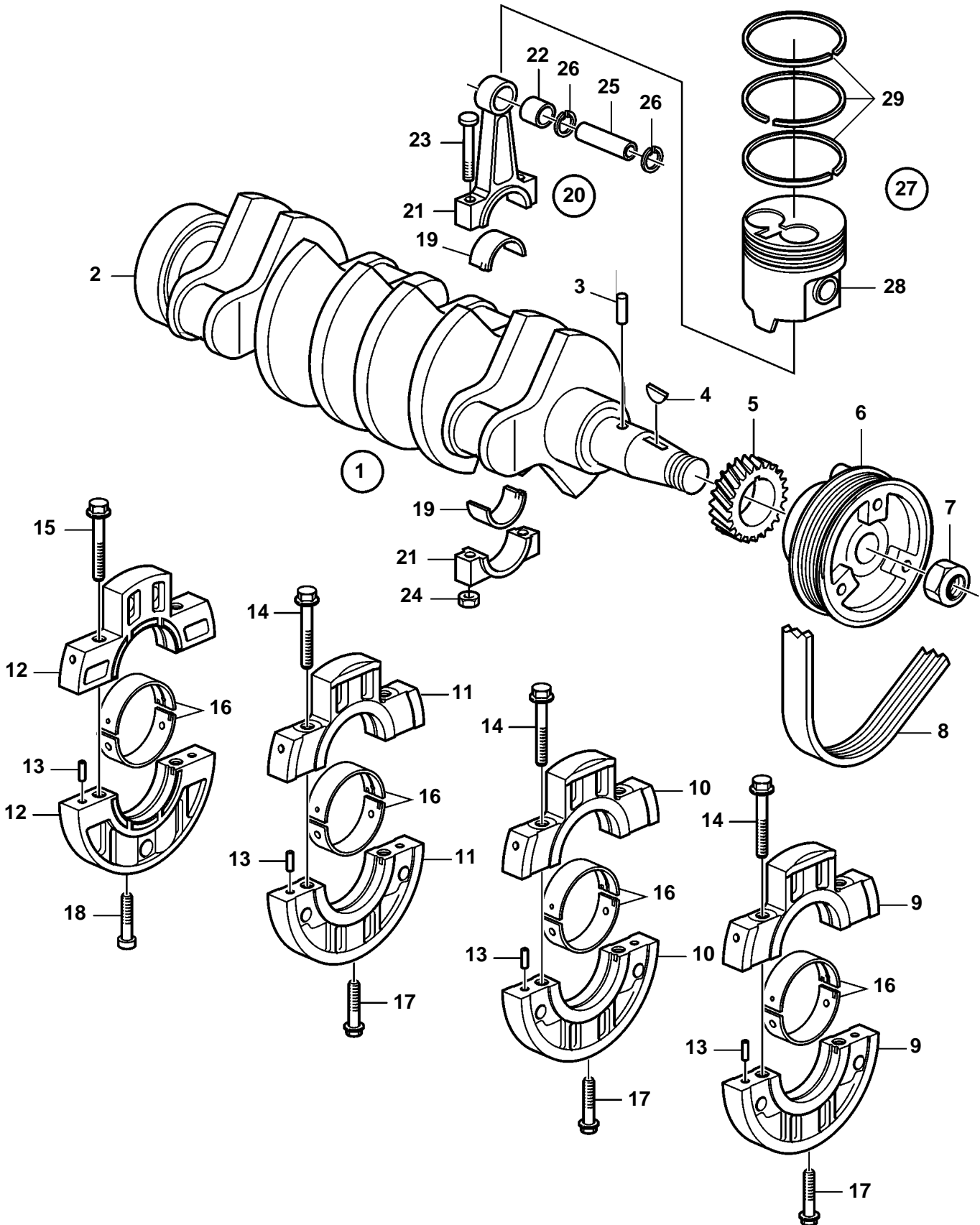


D2-40



D2-40

REF	PART NO.	QTY	DESCRIPTION	SEE SEC.	NOTES
1	3812430	1	Crankshaft		
2		1	· Crankshaft		
3	861934	1	· Key		
4	3812129	1	· Key		
5		1			
6	861977	1	Nut		
7	3812129	1	Key		
8		1	Drive belt	8356	
9		1	Bearing carrier		
10		1	Bearing carrier		
11		1	Bearing carrier		
12	3812416	1	Bearing carrier		
13		8	Pin		
14	947760	6	Flange screw		
15	3884511	2	Screw		
16	3884515	1	Main bearing kit	NS	
17	861952	3	Screw		
18	861953	2	Screw		
19	3884564	1	Rod bearing	NS	
20	3812206	4	Connecting rod		COMPLETE
21		1	· Connecting rod		
22	3580346	1	· Bushing		
23	3580347	2	· Screw		
24	3580348	2	· Nut		
25	3580343	4	Piston pin		
26	3580344	8	Lock ring		
27	3812470	4	Piston kit	NS	
28		1	· Piston		
29	3812474	1	· Piston ring kit	NS	