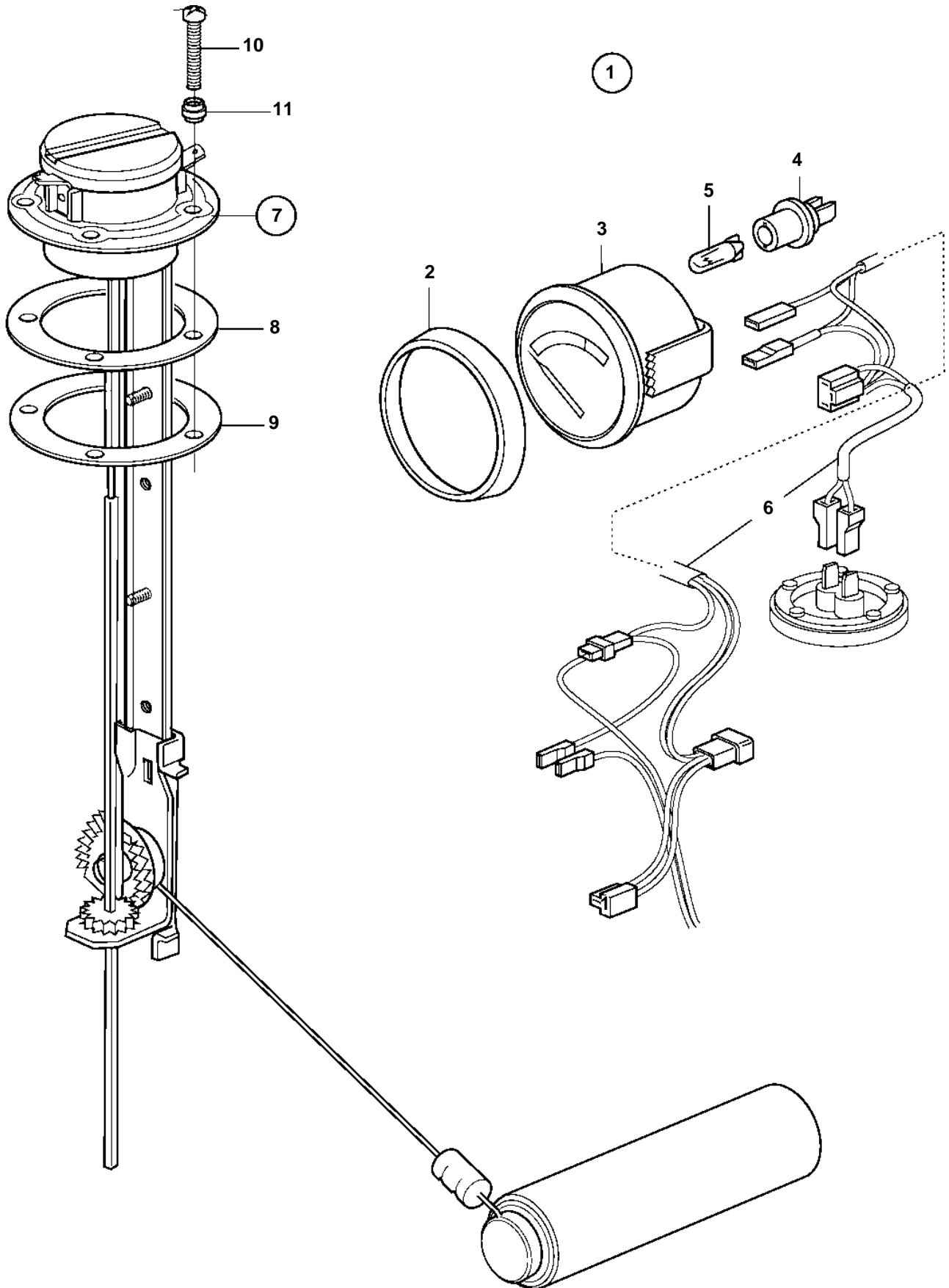


D1-13, D1-20, D1-30, D2-40



D1-13, D1-20, D1-30, D2-40

REF	PART NO.	QTY	DESCRIPTION	NOTES
1	1140462	1	Water level gauge ki	12V (858881)
2	858643	1	· Front ring	
3	863942	1	· Water level gauge	
4	863945	1	· · Bulb socket	For instrument of earlier production should white bulb 19923 and socket 808175 be mounted.
5	863946	1	· · Bulb	12V, 1,2W RED. For instrument of earlier production should white bulb 19923 and socket 808175 be mounted.
6		1	· Cable kit	
7	834389	1	· Sender	
8	89865	1	· · Gasket	
9	834480	1	· · Flange	
10	969407	4	· · Screw	(956078)
	956081	1	· · Screw	
11	834481	5	· · Gasket	