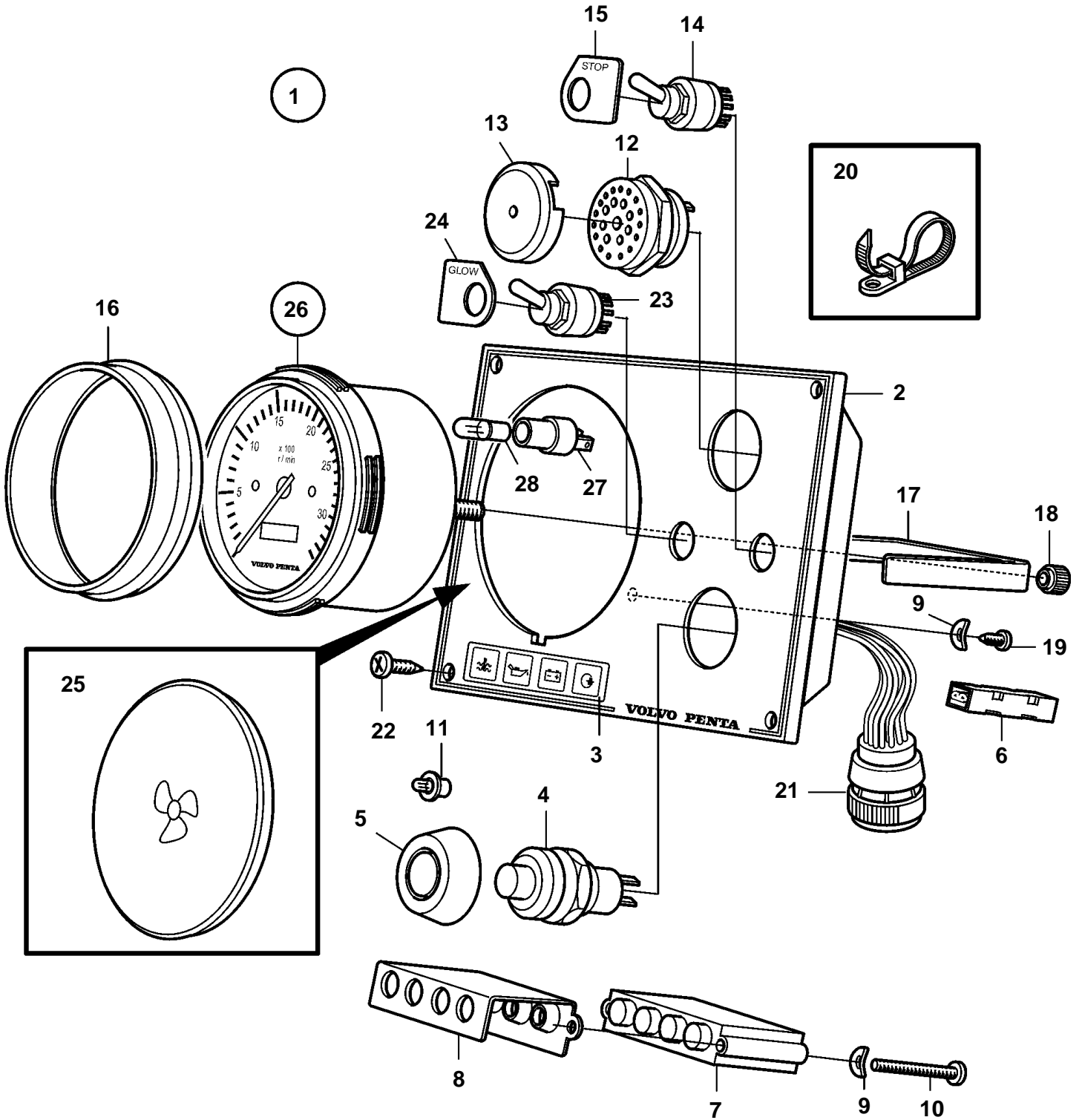


D1-13, D1-20, D1-30, D2-40



20351

D1-13, D1-20, D1-30, D2-40

REF	PART NO.	QTY	DESCRIPTION	NOTES
1	888565	1	Instrument panel	
2	872798	1	• Instrument panel	
3	858645	1	• Symbol strip	
4	843684	1	• Button	
5	837533	1	• Rubber cap	
6	20382270	1	• Diode	
7	873737	1	• Electronic unit	
8	828784	4	• Reflector	
9	941904	3	• Spring washer	
10	941615	2	• Screw	
11	19923	1	• Bulb	12V
12	828587	1	• Buzzer	
13	858795	1	• Protecting casing	
14	3586251	1	• Breaker	
15	3586262	1	• Decal	
	828586	1	• Nut	
16	873517	1	• Front ring	
17	873208	1	• Retainer	
18		2	• • Nut	
19	949947	1	• Screw	
20	948211	2	• Strip clamp	
21	3586264	1	• Wiring harness	
22	828647	4	• Screw	
23	872800	1	• Switch	
24	872771	1	• Decal	
25	858648	1	Plastic plug	ALT
26		1	Rev counter kit	4600 RPM
27	863945	1	• Bulb socket	
28	863946	1	• Bulb	12V