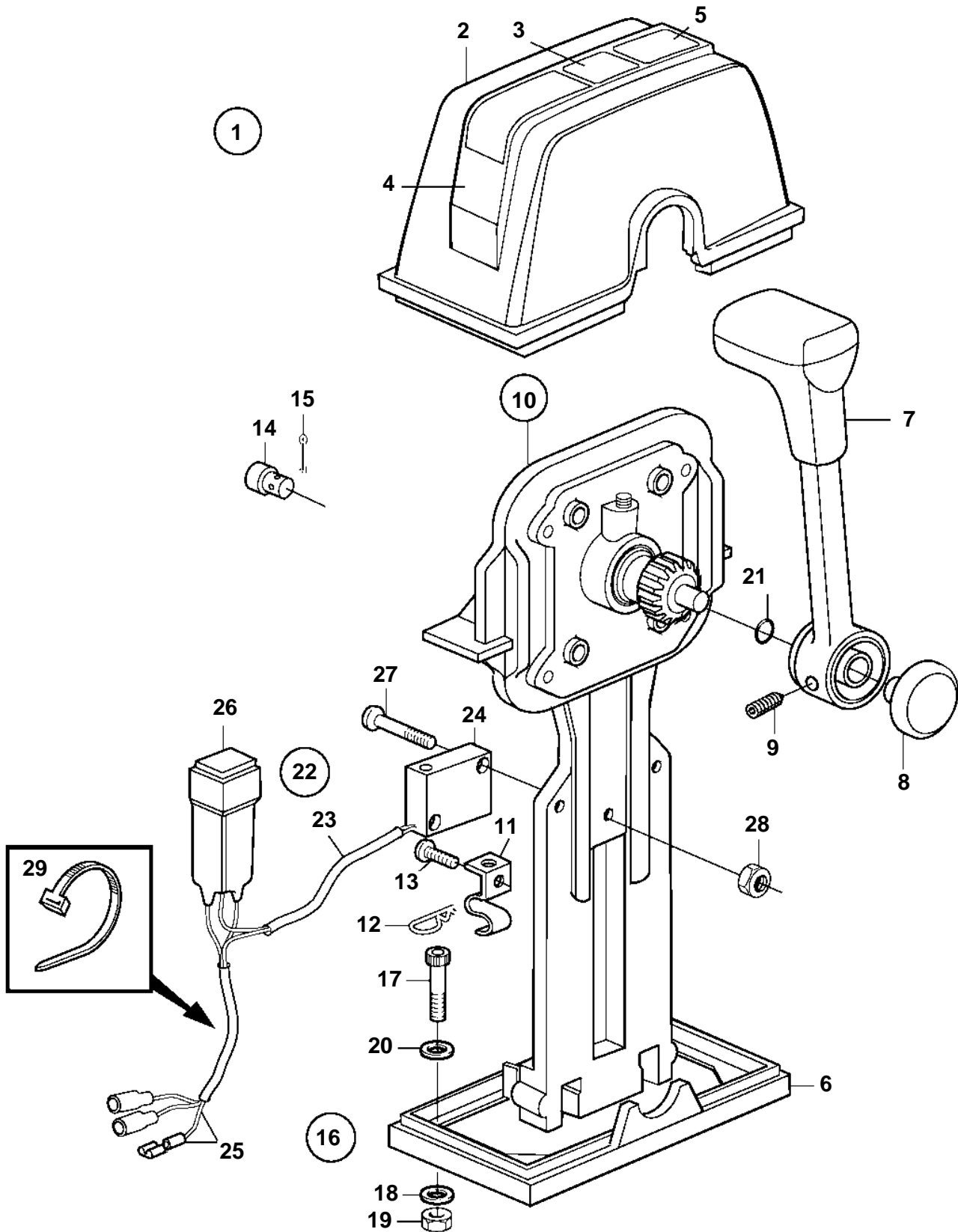


D1-13, D1-20, D1-30, D2-40



D1-13, D1-20, D1-30, D2-40

| REF | PART NO. | QTY | DESCRIPTION              | SEE SEC. | NOTES                        |
|-----|----------|-----|--------------------------|----------|------------------------------|
| 1   | 853168   | 1   | Mounting kit             |          | For single installation.     |
| 2   | 1140046  | 1   | • Cover                  |          |                              |
| 3   | 851896   | 2   | • • Decal                |          |                              |
| 4   |          | 1   | • • Cover plate          |          |                              |
| 5   |          | 1   | • • Decal                |          |                              |
| 6   | 839474   | 1   | • • Plate                |          |                              |
| 7   | 852347   | 1   | • Lever                  |          |                              |
| 8   |          | 1   | • • Push button          | 266      | Included in complete handle. |
| 9   |          | 1   | • • Screw                |          | Included in complete handle. |
| 10  | 851600   | 1   | • Control                |          |                              |
| 11  | 853423   | 1   | • • Retainer             |          |                              |
| 12  | 852924   | 1   | • • Clip                 |          |                              |
| 13  | 839664   | 1   | • • Screw                |          |                              |
| 14  | 839638   | 1   | • • Cube                 |          |                              |
| 15  | 17253    | 1   | • • Cotter pin           |          |                              |
| 16  |          | 1   | • Screw kit              |          |                              |
| 17  | 947671   | 4   | • • Allen head screw     |          |                              |
| 18  | 960138   | 4   | • • Washer               |          |                              |
| 19  | 955780   | 4   | • • Nut                  |          |                              |
| 20  | 940090   | 4   | • • Washer               |          |                              |
| 21  | 925058   | 1   | • O-ring                 |          |                              |
| 22  | 855352   | 1   | Neutral posit contac     |          |                              |
| 23  | 839619   | 1   | • Cable kit              |          |                              |
| 24  | 850200   | 1   | • • Switch               |          |                              |
| 25  |          | X   | • • Cables and terminals | 1963     |                              |
| 26  | 876037   | 1   | • Relay kit              |          |                              |
| 27  | 946177   | 2   | • Screw                  |          |                              |
| 28  | 947536   | 2   | • Nut                    |          |                              |
| 29  | 948211   | X   | • Strip clamp            |          |                              |