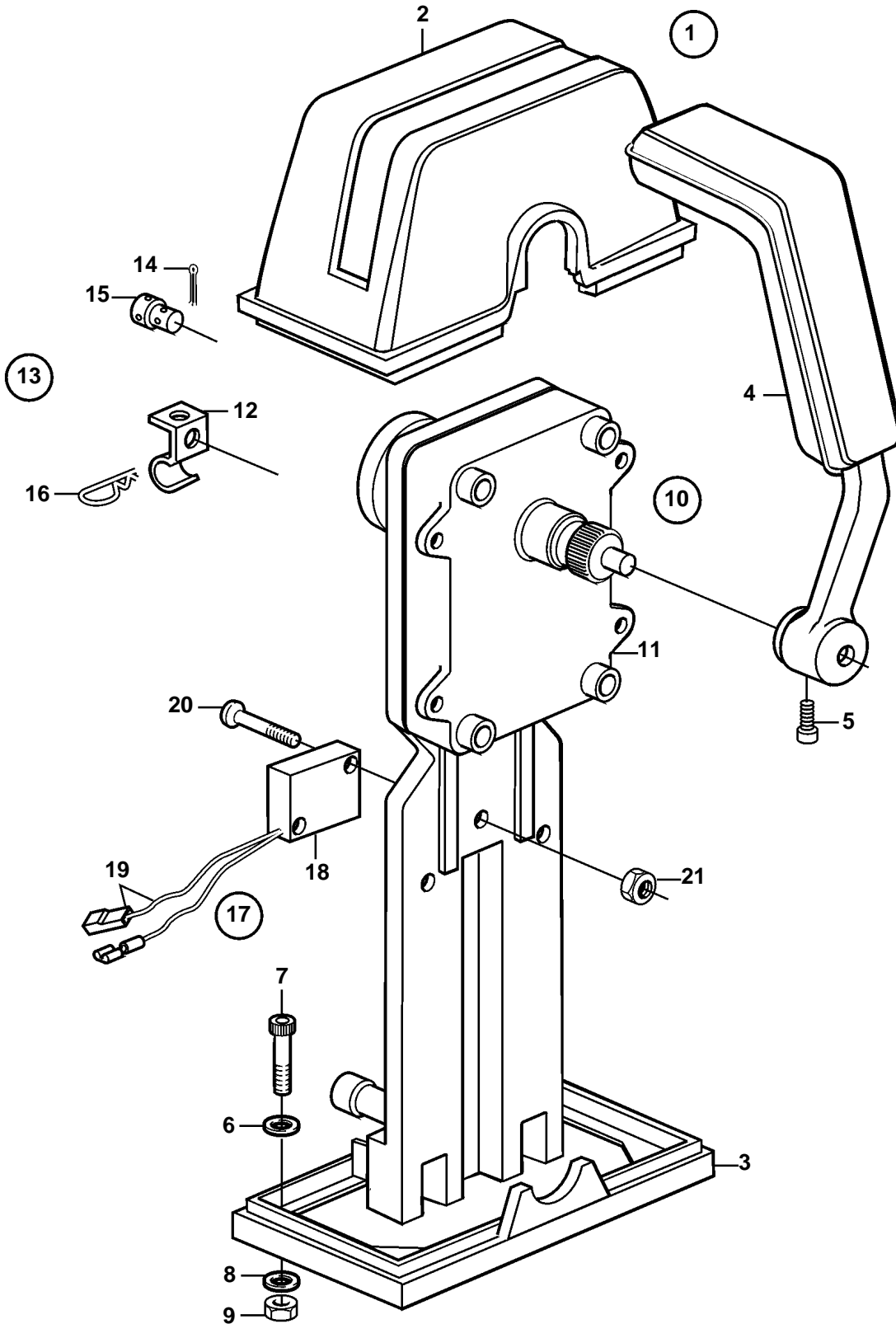


D1-13, D1-20, D1-30, D2-40



D1-13, D1-20, D1-30, D2-40

REF	PART NO.	QTY	DESCRIPTION	SEE SEC.	NOTES
1	851603	1	Mounting kit		
2	850824	1	• Cover		(839477)
3	839479	1	• Plate		
4	839475	2	• Lever		
5	839693	2	• Lock screw		
6	940090	2	• Washer		
7	947671	6	• Allen head screw		
8	960138	6	• Washer		
9	955780	6	• Nut		
10	851600	2	Control		
11		2	• Control mechanism		
12	853423	2	• Retainer		
13		2	• Connector kit		
14	17253	4	• • Cotter pin		
15	839638	4	• • Cube		
16	852924	2	• • Clip		
17	855352	2	Neutral posit contac		
18	850200	2	• Switch		
19		X	• • Cables and terminals	1963	
20	946177	4	• Screw		
21	947536	4	• Nut		