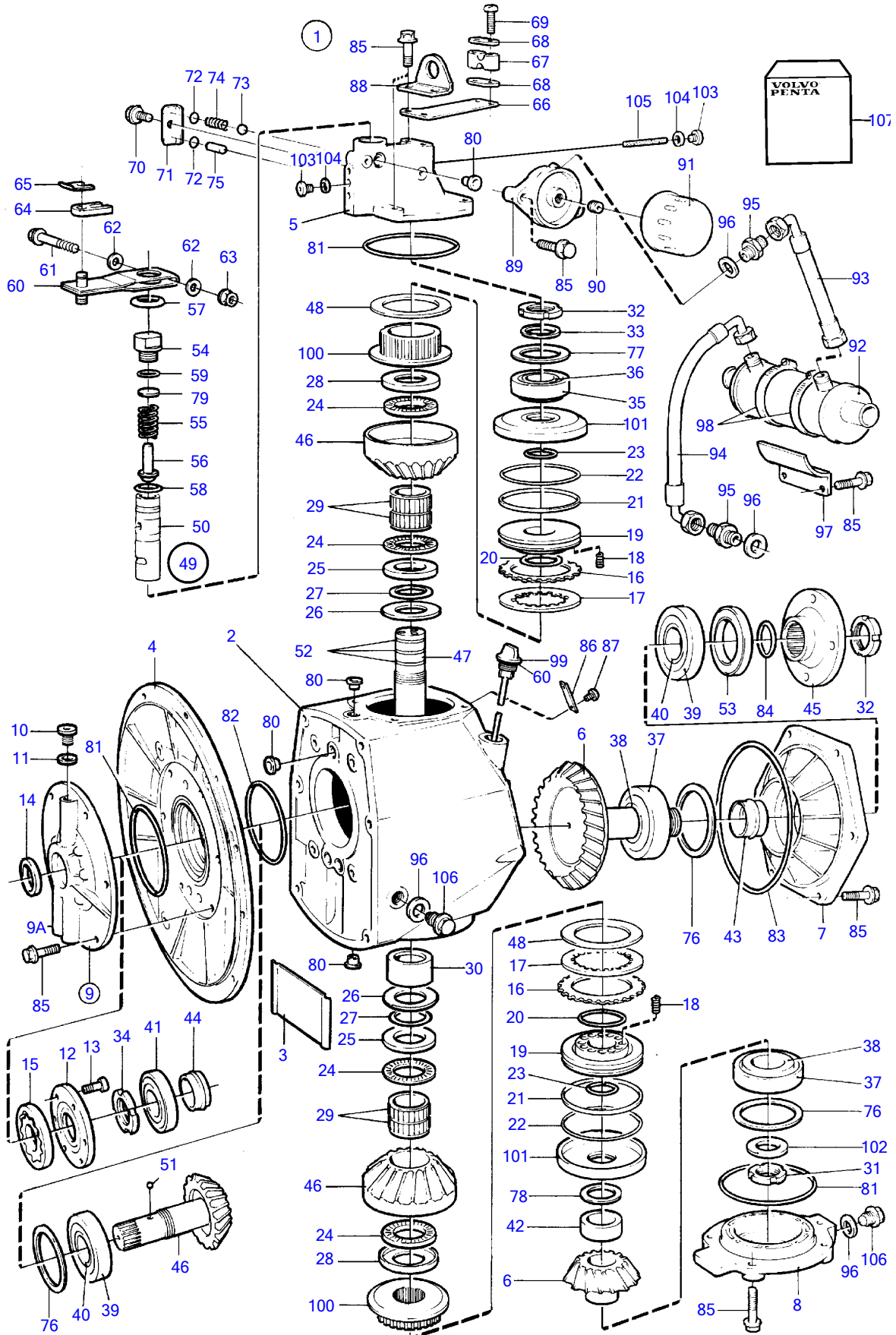


HS1A



23757

HS1A

| REF | PART NO. | QTY | DESCRIPTION | NOTES |
|-----|----------|-----|------------------------|---|
| 1 | 873171 | 1 | Transmission | Ratio 1.96:1 |
| | 3803501 | 1 | Lower gear, exch, exch | Ratio 1.96:1 |
| 2 | (872500) | 1 | • Gear housing | Obsolete part |
| 3 | 872574 | 1 | • Shield | |
| 4 | 872501 | 1 | • Cardboard tube | |
| 5 | 872725 | 1 | • Valve housing | |
| 6 | 872510 | 1 | • Drive gear set | |
| 7 | 872505 | 1 | • Bearing housing | |
| 8 | 872506 | 1 | • Bearing housing | |
| 9 | 3851512 | 1 | • Oil pump | |
| 9A | | 1 | • • Oil pump housing | |
| 10 | 945065 | 3 | • • Plug | |
| 11 | 969011 | 3 | • • Gasket | |
| 12 | | 1 | • • Lock | |
| 13 | 942001 | 6 | • • Hex. socket screw | |
| 14 | 6842273 | 1 | • • Lip seal | Included in gasket kit. |
| 15 | | 1 | • • Pump element | |
| 16 | | 14 | • Disc | Included in disc kit. |
| 17 | | 16 | • Disc | Included in disc kit. |
| 18 | 872580 | 26 | • Spring | |
| 19 | 872518 | 2 | • Piston | |
| 20 | 977891 | 2 | • O-ring | Included in gasket kit., Included in piston ring kit. |
| 21 | | 2 | • Piston ring | Included in piston ring kit. |
| 22 | | 2 | • O-ring | Included in piston ring kit. |
| 23 | 872522 | 2 | • Lock ring | |
| 24 | 184175 | 4 | • Needle roller assemb | |
| 25 | 184239 | 2 | • Raceway washer | |
| 26 | 872581 | 2 | • Spring washer | |
| 27 | 956000 | 2 | • O-ring | Included in gasket kit. |
| 28 | 872570 | 2 | • Thrust washer | |
| 29 | 184798 | 4 | • Needle roller assemb | |
| 30 | 872587 | 1 | • Roller bearing | |
| 31 | 969072 | 1 | • Round nut | Included in gasket kit. |
| 32 | 969073 | 2 | • Round nut | Included in gasket kit. |
| 33 | 872520 | 1 | • Washer | |
| 34 | 969074 | 1 | • Round nut | Included in gasket kit. |
| 35 | 181304 | 1 | • Cup | |
| 36 | 181303 | 1 | • Inner ring | |
| 37 | 183403 | 2 | • Cup | |
| 38 | 183649 | 2 | • Inner ring | |
| 39 | 181036 | 2 | • Cup | |
| 40 | 184797 | 2 | • Inner ring | |
| 41 | 183232 | 1 | • Roller bearing | |
| 42 | 872521 | 1 | • Spacer sleeve | |
| 43 | 872568 | 1 | • Pretensioning sleeve | |
| 44 | 872569 | 1 | • Pretensioning sleeve | |
| 45 | 872523 | 1 | • Flange | |
| 46 | 872507 | 1 | • Drive gear set | |
| 47 | 872515 | 1 | • Shaft | |
| 48 | 872794 | 2 | • Disc spring | |
| 49 | 872524 | 1 | • Valve | |
| 50 | | 1 | • Valve | |
| 51 | 1521240 | 1 | • Ball | |
| 52 | | 3 | • Piston ring | Included in piston ring kit. |
| 53 | 872701 | 1 | • Sealing ring | Included in gasket kit. |
| 54 | 872525 | 1 | • Housing | |
| 55 | 872585 | 1 | • Spring | |
| 56 | 873519 | 1 | • Service kit | |
| 57 | 872567 | 1 | • Cardboard tube | |
| 58 | 977890 | 1 | • O-ring | Included in gasket kit. |
| 59 | 925058 | 2 | • O-ring | Included in gasket kit. |
| 60 | 872526 | 1 | • Intermediate lever | |
| 61 | 955252 | 1 | • Hexagon screw | |

7742700-44-605

23757

Upd:2011-09-28

HS1A

| REF | PART NO. | QTY | DESCRIPTION | NOTES |
|-----|----------|-----|------------------------|-----------------------------------|
| 62 | 940090 | 2 | • Washer | |
| 63 | 963104 | 1 | • Lock nut | |
| 64 | 872075 | 1 | • Anchorage | |
| 65 | (873265) | 1 | • E-circlip | Obsolete part |
| 66 | 872528 | 1 | • Bracket | |
| 67 | 872074 | 1 | • Retainer | |
| 68 | 872076 | 2 | • Washer | |
| 69 | 956083 | 2 | • Cross recessed screw | |
| 70 | 967949 | 1 | • Flange screw | |
| 71 | 872529 | 1 | • Cardboard tube | |
| 72 | 955983 | 2 | • O-ring | Included in gasket kit. |
| 73 | 183801 | 1 | • Ball | |
| 74 | 872586 | 1 | • Spring | |
| 75 | 184796 | 1 | • Needle roller | |
| 76 | 977913 | X | • Shim | TH=0.10mm |
| | 977914 | X | • Shim | TH=0.15mm |
| | 977915 | X | • Shim | TH=0.35mm |
| 77 | 977910 | X | • Shim | TH=0.10mm |
| | 977911 | X | • Shim | TH=0.15mm |
| | 977912 | X | • Shim | TH=0.35mm |
| 78 | 978912 | X | • Shim | TH=0,30mm |
| | (977909) | X | • Shim | Obsolete part, TH=0.35mm |
| | 978913 | X | • Shim | TH=0,40mm |
| | 978914 | X | • Shim | TH=0,45mm |
| | 978915 | X | • Shim | TH=0,50mm |
| | 978916 | X | • Shim | TH=0,55mm |
| 79 | 978917 | X | • Shim | TH=0,50mm |
| 80 | 422413 | 11 | • Sealing ring | Included in gasket kit. |
| 81 | 925263 | 3 | • O-ring | Included in gasket kit. |
| 82 | 925260 | 1 | • O-ring | Included in gasket kit. |
| 83 | 948866 | 1 | • O-ring | Included in gasket kit. |
| 84 | 949659 | 1 | • O-ring | Included in gasket kit. |
| 85 | 947760 | 28 | • Flange screw | |
| 86 | | 1 | • Sign | |
| 87 | 950885 | 2 | • Drive screw | |
| 88 | | 1 | • Lifting eye | |
| 89 | 872605 | 1 | • Bracket | |
| 90 | 840274 | 1 | • Nipple | |
| 91 | 834337 | 1 | • Oil filter | |
| 92 | 872626 | 1 | • Oil cooler | |
| 93 | 872637 | 1 | • Hose | |
| 94 | 872638 | 1 | • Hose | |
| 95 | 192639 | 2 | • Nipple | |
| 96 | 947624 | 4 | • Gasket | Included in gasket kit. |
| 97 | 872615 | 1 | • Bracket | |
| 98 | 961674 | 2 | • Hose clamp | |
| 99 | 3858156 | 1 | • Dipstick | |
| 100 | 872608 | 2 | • Hub | |
| 101 | 872611 | 2 | • Cylinder | |
| 102 | 978906 | 1 | • Support washer | |
| 103 | 977917 | 3 | • Plug | |
| 104 | 947620 | 3 | • Gasket | Included in gasket kit. |
| 105 | 872577 | 1 | • Oil strainer | |
| 106 | 1381498 | 2 | • Plug | |
| 107 | 876588 | 1 | Gasket kit | See group 99 |
| | 876591 | 1 | Disc kit | Replaced by 3885079, See group 99 |
| | 3885079 | 1 | Disc kit | See group 99 |
| | 876589 | 1 | Piston kit | See group 99 |