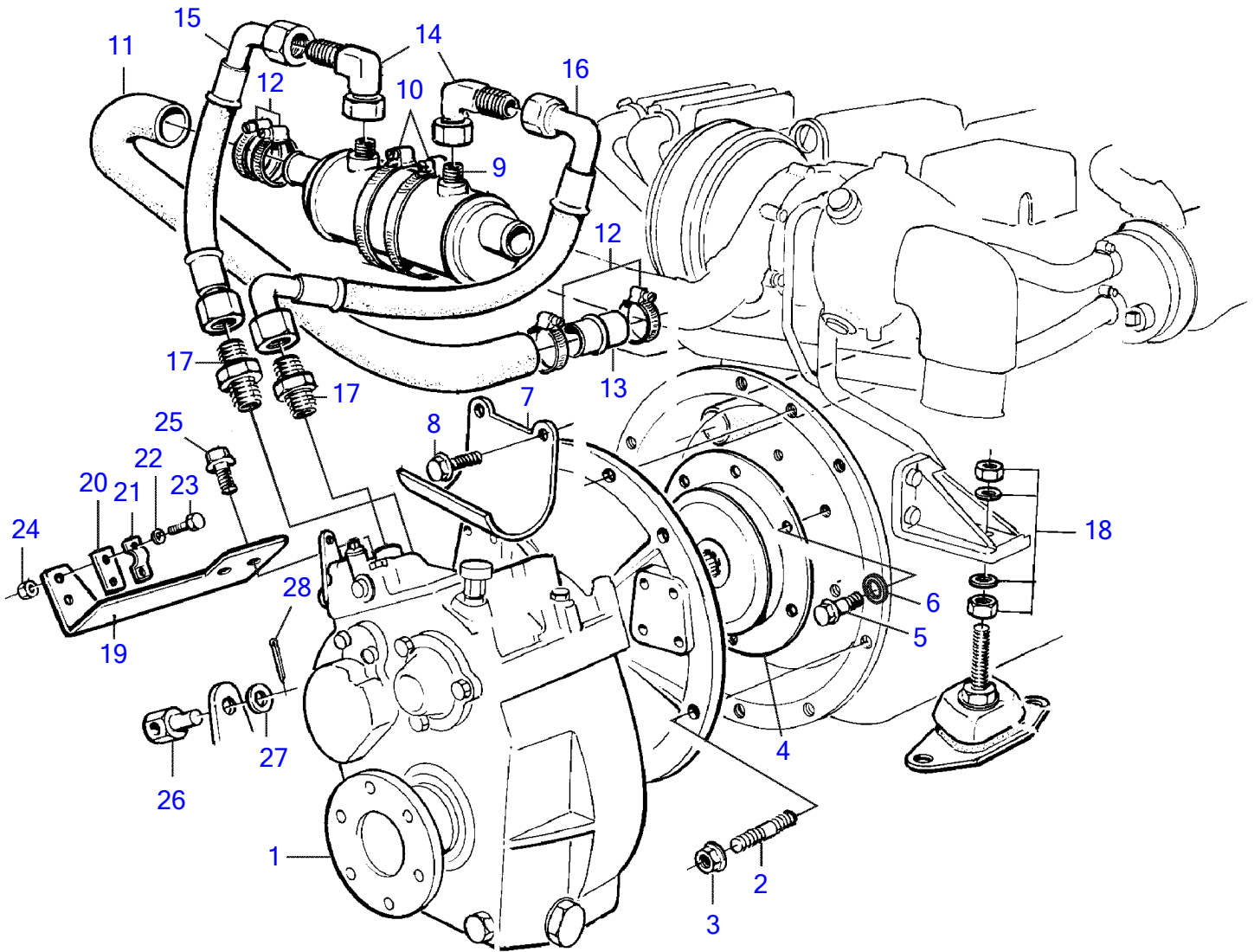


TAMD31M-A, TAMD41H-A, TAMD41H-B, TAMD41M-A



19458

TAMD31M-A, TAMD41H-A, TAMD41H-B, TAMD41M-A

REF	PART NO.	QTY	DESCRIPTION	NOTES
1		1	Reversing gear	
2	953067	4	Stud	
3	971095	4	Flange nut	
4	872987	1	Clutch	Replaced by 1pcs 3582752, vibration damper, 6pcs 959227, screw and 6pcs 941907, spring washer.
	3582752	1	Oscillation damper	
5	959227	6	Hex. socket screw	
6	941907	6	Spring washer	
7	859592	1	Bracket	
8	946752	5	Flange screw	
9	872626	1	Oil cooler	
10	961674	2	Hose clamp	
11	861739	1	Hose	
12	961669	4	Hose clamp	
13	861090	1	Tube	
14	946369	2	Elbow nipple	
15	872637	1	Hose	
16	872638	1	Hose	
17	856793	2	Nipple	
18		4	Engine suspension	See group 21
19	858366	1	Bracket	
20	819068	1	Washer	
21	21471054	1	Bracket	
22	940090	2	Washer	
23	969407	2	6 point socket screw	
24	949874	2	Flange lock nut	
25		2	Screw	
26	833133	1	Cube	
27	955893	1	Washer	
28	17276	1	Split pin	