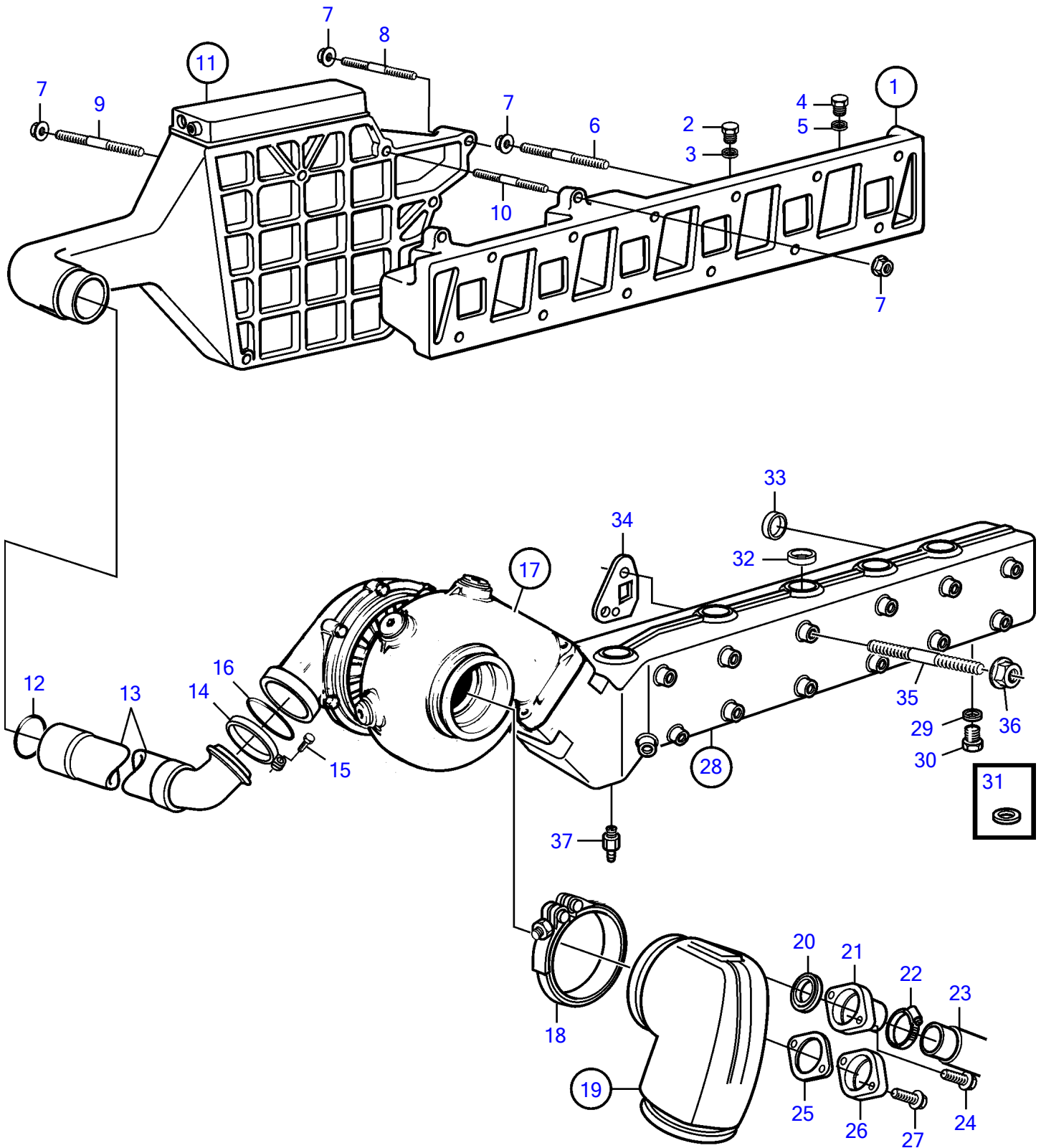


TAMD41H-A, TAMD41H-B, TAMD41P-A, TAMD41L-A, TAMD41M-A



22792

TAMD41H-A, TAMD41H-B, TAMD41P-A, TAMD41L-A, TAMD41M-A

REF	PART NO.	QTY	DESCRIPTION	NOTES
1	859300	1	Inlet pipe	
2	960634	4	• Plug	
3	947627	4	• Gasket	
4	960632	1	Plug	
5	11998	1	Gasket	
6	980226	9	Stud	L=50mm
	984130	1	Stud	L=110mm (980227)
7	945408	10	Flange nut	
8	984130	1	Stud	L=110mm (980227)
9	981440	1	Stud	
10	953049	2	Stud	L=50mm
11		1	Intercooler	
12	864723	1	Sealing ring	
13	838693	1	Connection pipe	
14	838864	1	V-band clamp	
15	947542	1	Flange screw	
16	967944	1	O-ring	
17		1	Turbo	
18	842993	1	V-band clamp	
19	859963	1	Exhaust riser	
20	842913	1	Sealing ring	
21	858659	1	Hose connection	
22	943475	1	Hose clamp	
23	944386	X	Rubber hose	Heat exchanger-exhaust riser., L=370mm
24	946544	2	Flange screw	
25	859002	1	Gasket	
26	844093	1	Flange	
27	946544	2	Flange screw	
28	876823	1	Exhaust pipe	Repl by 877067
	3581406	1	Exhaust pipe	
29	960632	1	• Plug	
	960631	1	• Plug	
30	11996	1	• Gasket	
31	11998	1	• Gasket	
32	946780	11	• • Cap plug	
33	838766	1	Sealing ring	
34	876144	6	Gasket kit	
35	953001	8	Stud	L=120mm
	953002	2	Stud	For earlier version of expansion tank., L=125mm
	953002	1	Stud	For later version of expansion tank., L=125mm
	953003	1	Stud	L=130mm
	953005	1	Stud	For later version of expansion tank., L=140mm
	953007	1	Stud	For earlier version of expansion tank., L=150mm
	980835	1	Stud	For later version of expansion tank., L=155mm
36	971095	12	Flange nut	
37	949918	1	Shut-off cock	