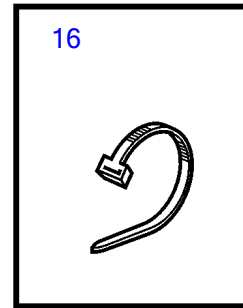
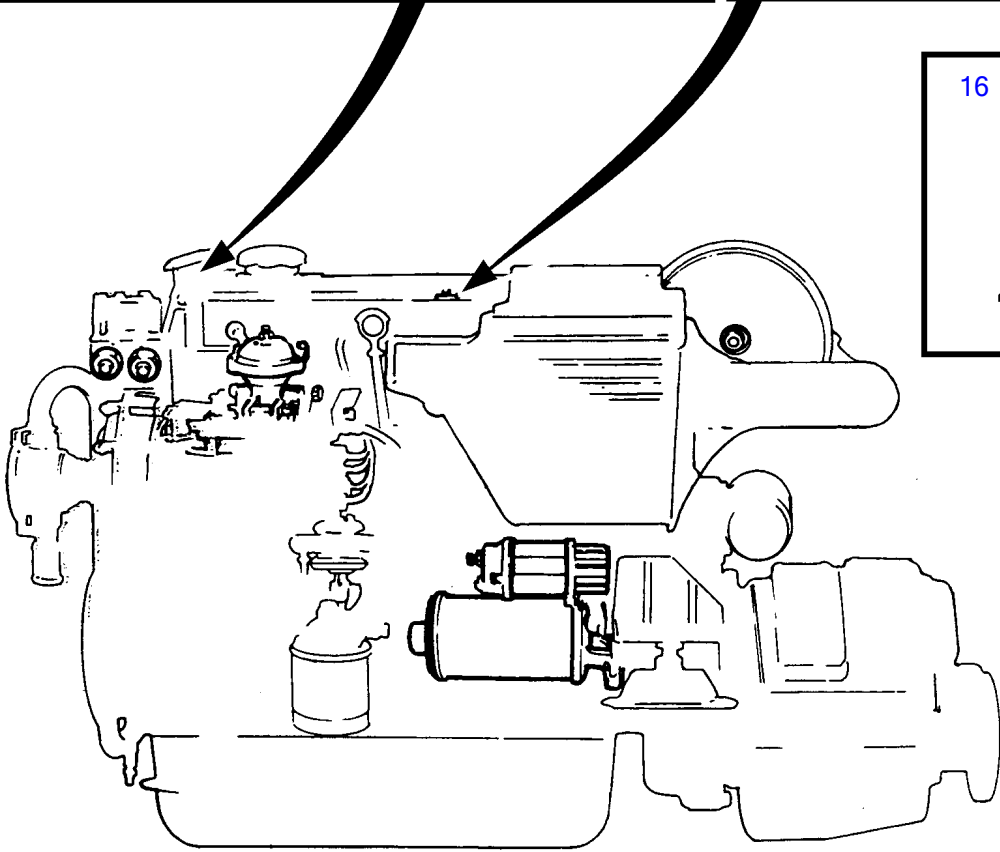
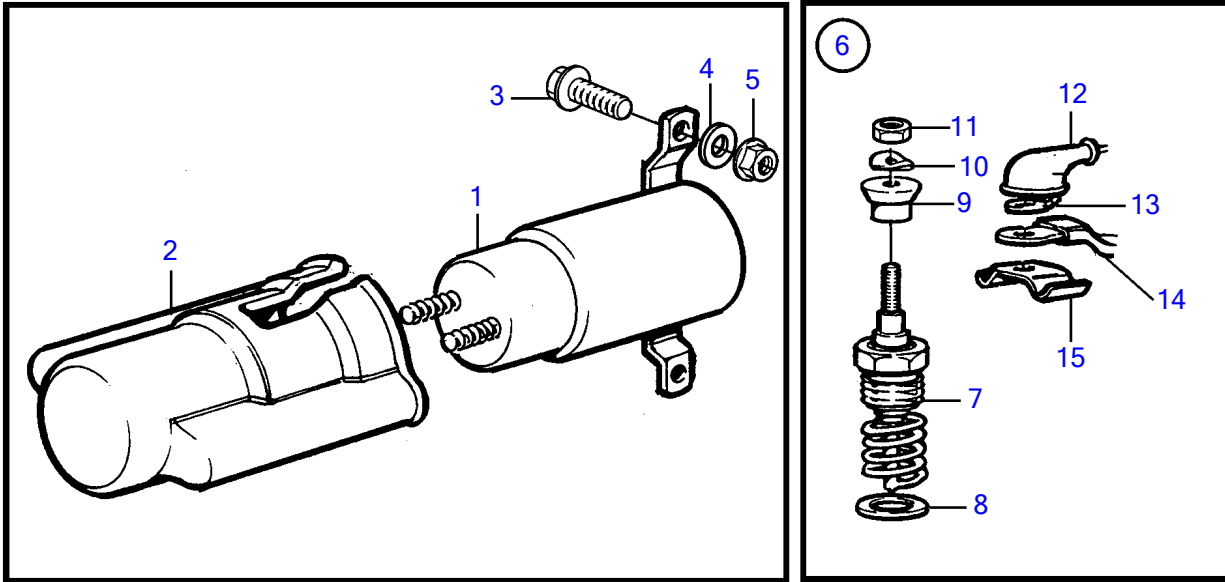


TAMD31L-A, TAMD31M-A, TAMD41P-A



TAMD31L-A, TAMD31M-A, TAMD41P-A

REF	PART NO.	QTY	DESCRIPTION	NOTES
1	872242	1	Relay	For 12 voltage electric system.
2	1581123	1	Casing	
3	948746	2	Flange screw	
4	955893	2	Washer	
5	945407	2	Flange nut	
6	876132	1	Glow plug	
7	3581635	2	• Glow plug	
8	859211	1	• Sealing ring	
9	859328	1	• Thrust sleeve	
10	941905	1	• Spring washer	
11	965483	1	• Flange nut	
12	673580	4	Adapter	
13	(860330)	1	Cable kit	Obsolete part
14	859451	1	Rail	Glow plug 1-2.
	859450	1	Rail	Glow plug 2-3.
	859449	1	Rail	Glow plug 3-4.
15	860044	1	Switch brace	
16	948211	3	Cable tie	