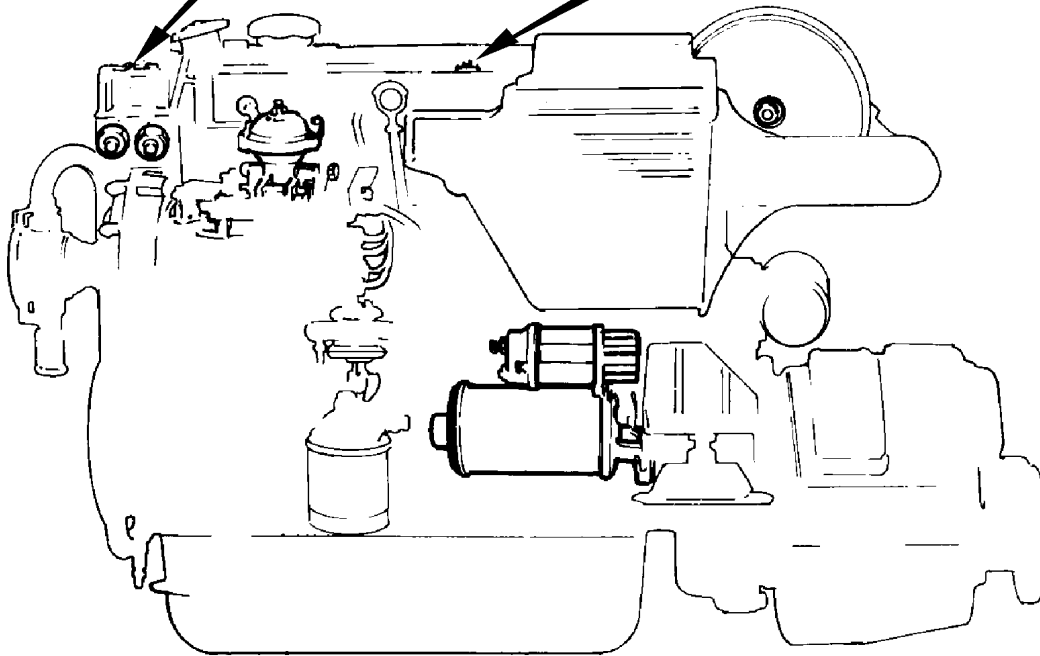
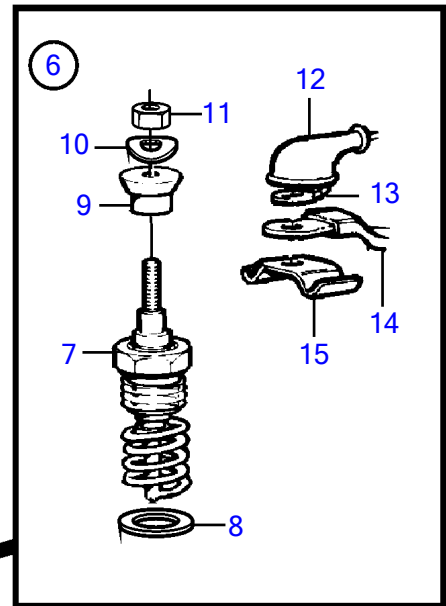
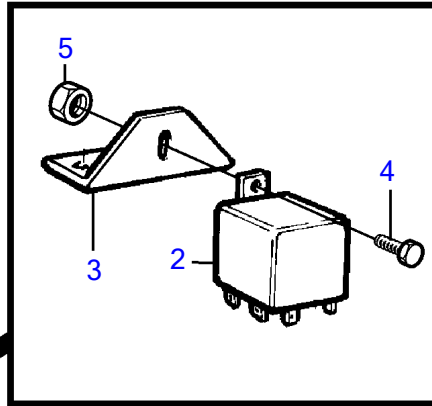
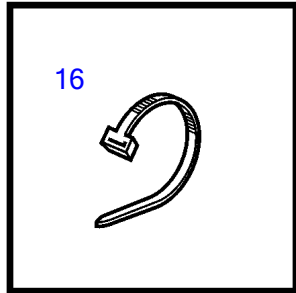


AD31L-A, AD31P-A, AD41L-A, AD41P-A, D41L-A, TAMD31L-A, TAMD31M-A, TAMD31P-A, TAMD31S-A, TAMD41H-A, TAMD41H-B, TAMD41P-A, TAMD41L-A, TAMD41M-A, TMD31L-A, TMD41L-A

1



AD31L-A, AD31P-A, AD41L-A, AD41P-A, D41L-A, TAMD31L-A, TAMD31M-A, TAMD31P-A, TAMD31S-A, TAMD41H-A, TAMD41H-B, TAMD41P-A, TAMD41L-A, TAMD41M-A, TMD31L-A, TMD41L-A

REF	PART NO.	QTY	DESCRIPTION	NOTES
1	860935	1	Conversion kit	For 12 voltage electric system., Repl by 874117
	874117	1	Glow plug	For 12 voltage electric system.
2	873740	1	• Relay	
3	858937	1	• Bracket	For 860935
4	969405	1	• 6 point socket screw	For 860935
	968476	1	• Flange screw	
5	965483	1	• Flange nut	For 860935
6	876132	1	• Glow plug	
7	3581635	2	• • Glow plug	
8	859211	1	• • Sealing ring	
9	859328	1	• • Thrust sleeve	
10	941905	1	• • Spring washer	
11	965483	1	• • Flange nut	
12	673580	1	• Adapter	
13	860173	1	• Cable kit	Alt
14	859450	1	• Rail	Alt
15	860044	1	• Switch brace	Alt
16	948211	3	Cable tie	