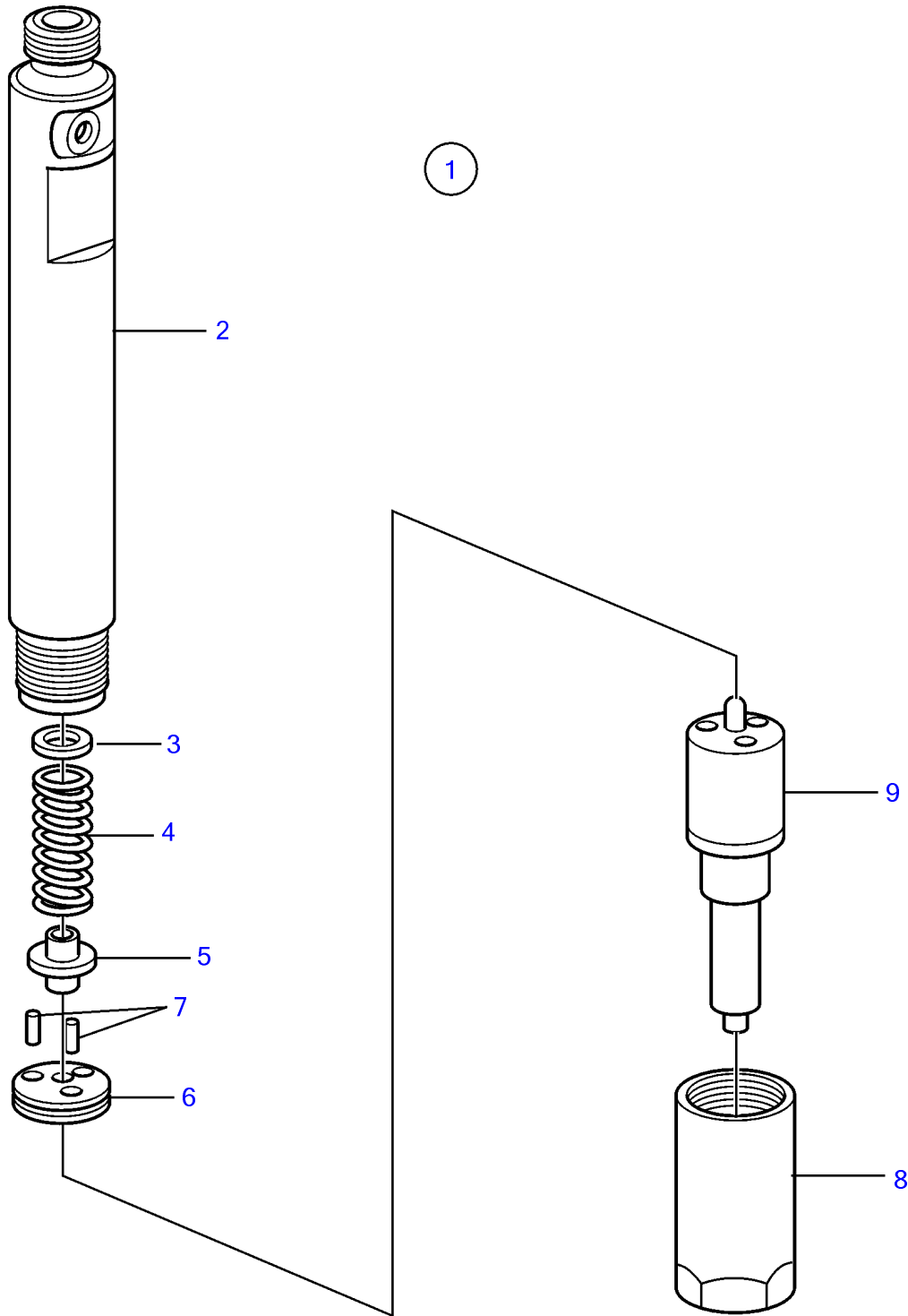


AD31L-A, AD31P-A, AD41L-A, AD41P-A, TAM31L-A, TAM31M-A, TAM31P-A, TAM31S-A, TAM41H-A, TAM41H-B, TAM41P-A, TAM41L-A, TAM41M-A



AD31L-A, AD31P-A, AD41L-A, AD41P-A, TAMD31L-A, TAMD31M-A, TAMD31P-A, TAMD31S-A, TAMD41H-A, TAMD41H-B, TAMD41P-A, TAMD41L-A, TAMD41M-A

REF	PART NO.	QTY	DESCRIPTION	NOTES
1	861103	1	Injector	
	3803238	1	Injector, exch	
2		1	• Nozzle retainer	
3	243467	X	• • Adjusting washer	TH=1,00mm
	243468	X	• • Adjusting washer	TH=1,05mm
	11705718	X	• • Shim	TH=1,08mm
	243469	X	• • Adjusting washer	TH=1,10mm
	243470	X	• • Adjusting washer	TH=1,15mm
	11705722	X	• • Shim	TH=1,20mm
	3830388	X	• • Spacer	TH=1,24mm
	11705724	X	• • Shim	TH=1,28mm
	11705725	X	• • Adjusting washer	TH=1,30mm
	11705726	X	• • Shim	TH=1,35mm
	243475	X	• • Adjusting washer	TH=1,40mm
	243476	X	• • Adjusting washer	TH=1,45mm
	6885727	X	• • Shim	TH=1,48mm
	11705731	X	• • Adjusting washer	TH=1,50mm
	243478	X	• • Adjusting washer	TH=1,55mm
	11705734	X	• • Adjusting washer	TH=1,60mm
	243480	X	• • Adjusting washer	TH=1,65mm
	6885730	X	• • Shim	TH=1,68mm
	11705737	X	• • Adjusting washer	TH=1,70mm
	243482	X	• • Adjusting washer	TH=1,75mm
	11705740	X	• • Shim	TH=1,80mm
	6885739	X	• • Shim	TH=1,84mm
	6885740	X	• • Shim	TH=1,88mm
	243485	X	• • Adjusting washer	TH=1,90mm
	243486	X	• • Adjusting washer	TH=1,95mm
4	6885720	1	• • Compression spring	
5		1	• • Pressure bolt	
6		1	• • Washer	
7	244907	2	• • Locating pin	
8	243489	1	• • Nut	
9	861117	1	• Nozzle	