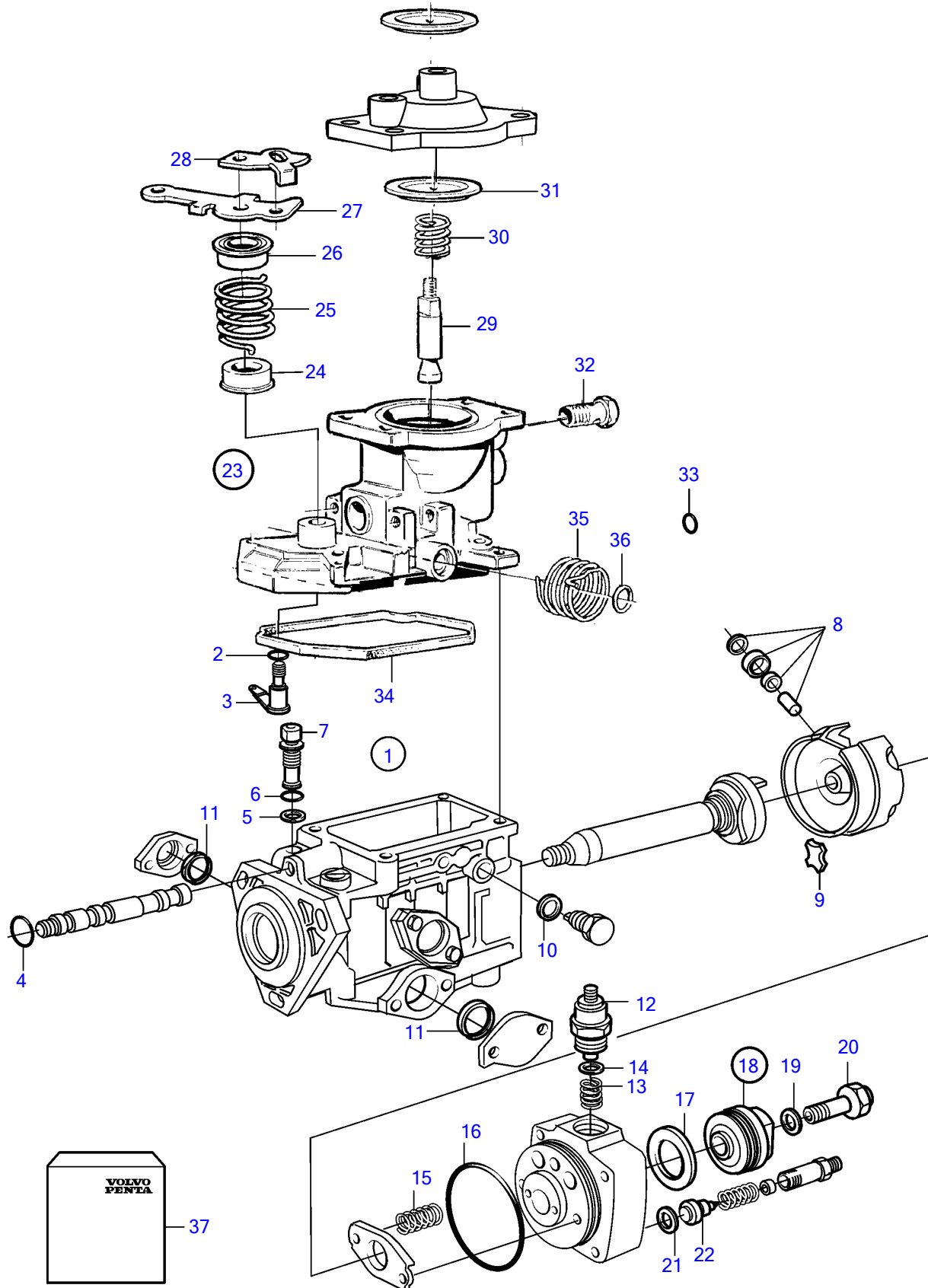


D41L-A, TMD41L-A



D41L-A, TMD41L-A

REF	PART NO.	QTY	DESCRIPTION	NOTES
1	(861315)	1	Injection pump	Obsolete part
2	243567	1	• Sealing ring	Included in gasket kit.
3	(244959)	1	• Shaft	Obsolete part
4	243786	1	• O-ring	Included in gasket kit.
5	861520	1	• O-ring	Included in gasket kit.
6	243520	1	• Sealing ring	Included in gasket kit.
7	844179	1	• Valve	
8		1	• Bearing	
9	844150	2	• Absorber	Included in gasket kit.
10		2	• Washer	Included in gasket kit.
11	838445	2	• O-ring	Included in gasket kit.
12	876614	1	• Stop solenoid	12V
13	861208	1	• • Spring	
14		1	• O-ring	Included in gasket kit.
15	(859482)	1	• Compression spring	Obsolete part
16	(243555)	1	• Sealing ring	Included in gasket kit., Obsolete part
17	(838402)	1	• O-ring	Obsolete part
18	861491	1	• Screw	
19		1	• Gasket	
20		1	• Screw	
21	845738	6	• Washer	
22		6	• Delivery valve	
23		1	• Governor	
24		1	• Spring disc	
25	244967	1	• Spring	
26	244972	1	• Spring disc	
27	244961	1	• Lever	TH=1,80mm
28	244969	1	• Lever	TH=1,95mm
29		1	• Adjusting screw	TH=2.00mm
30	(861436)	1	• Spring	TH=2,12mm, Obsolete part
31	244944	1	• Diaphragm	TH=2.20mm
32	861514	1	• Hollow screw	TH=2,32mm
33	244963	1	• Shim	Included in gasket kit., TH=2.40mm
34		1	• Gasket	TH=2.50mm
35	(859463)	1	• Spring	TH=2,52mm, Obsolete part
36	844224	1	• O-ring	Included in gasket kit., TH=2.80mm
37	844240	1	Gasket kit	