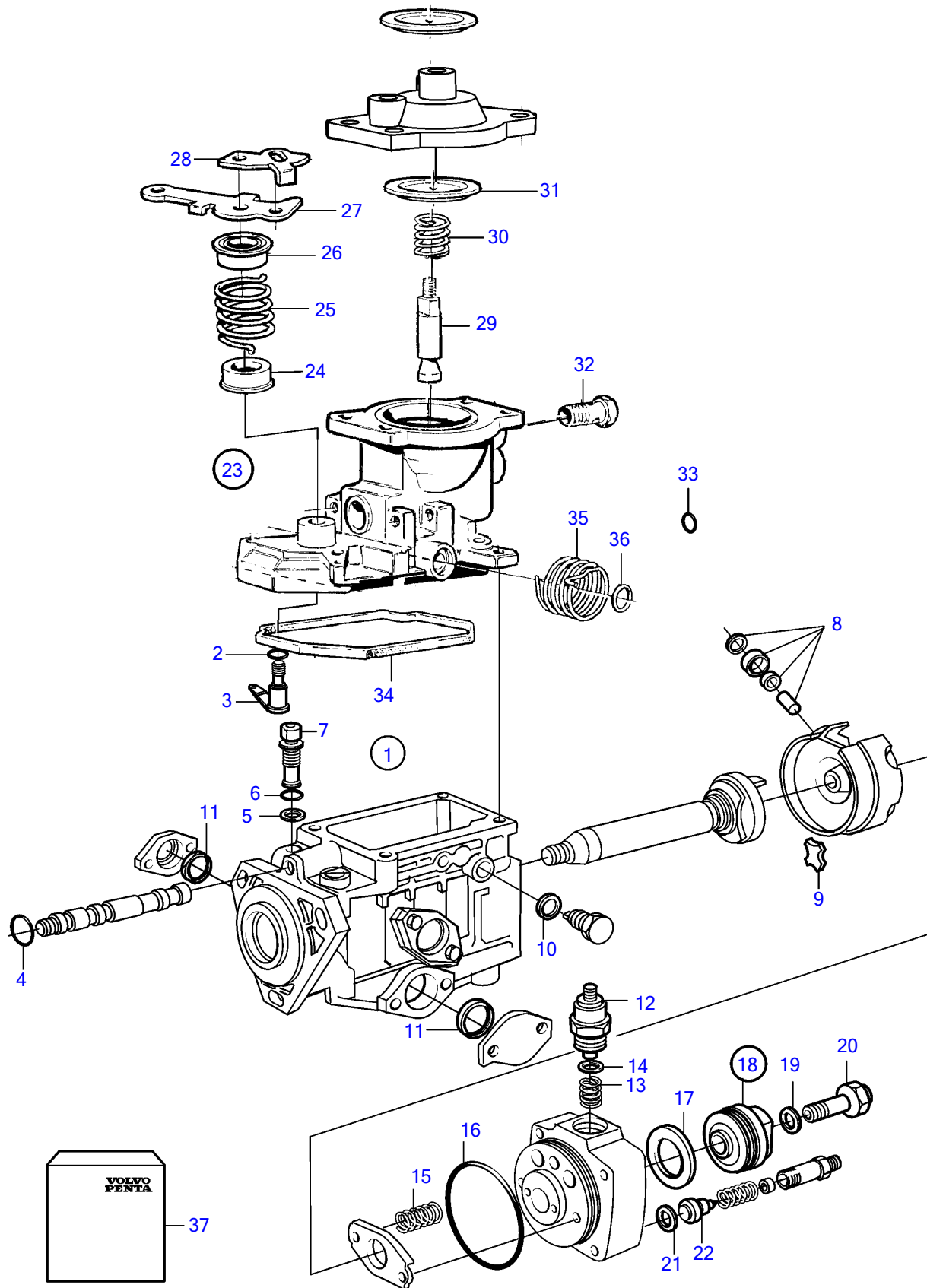


AD31L-A



AD31L-A

REF	PART NO.	QTY	DESCRIPTION	NOTES
1	861119	1	Injection pump	
2	243567		• Sealing ring	
3			• Shaft	
4		1	• O-ring	Included in gasket kit.
5	861520	1	• O-ring	Included in gasket kit.
6	243520	1	• Sealing ring	Included in gasket kit.
7	844179	1	• Valve	
8		1	• Overhaul kit	
9	844150	2	• Absorber	Included in gasket kit.
10	1699759	2	• Gasket	Included in gasket kit.
11	838445	1	• O-ring	Included in gasket kit.
12	876614	1	• Stop solenoid	12V
13	861208	1	• • Spring	
14		1	• O-ring	
15		1	• Spring kit	
16	(243555)	1	• Sealing ring	Obsolete part
17	(838402)	1	• O-ring	Obsolete part, Included in gasket kit.
18	861491	1	• Screw	
19		1	• • Gasket	
20		1	• • Screw	TH=2.00mm
21	845738	4	• Washer	TH=2, 12mm
22		4	• Delivery valve	TH=2.20mm
23		1	• Governor	
24		1	• Spring disc	TH=2.40mm
25		1	• Spring	TH=2.50mm
26		1	• Spring disc	
27	244961	1	• Lever	TH=2.60mm
28	244969	1	• Lever	
29		1	• Screw	
30		1	• Compression spring	
31	244944	1	• Diaphragm	
32	844237	1	• Hollow screw	
33	244963	1	• Shim	Included in gasket kit.
34		1	• Gasket	
35	(859463)	1	• Spring	Obsolete part
36	844224	1	• O-ring	
37	844240	1	Gasket kit	