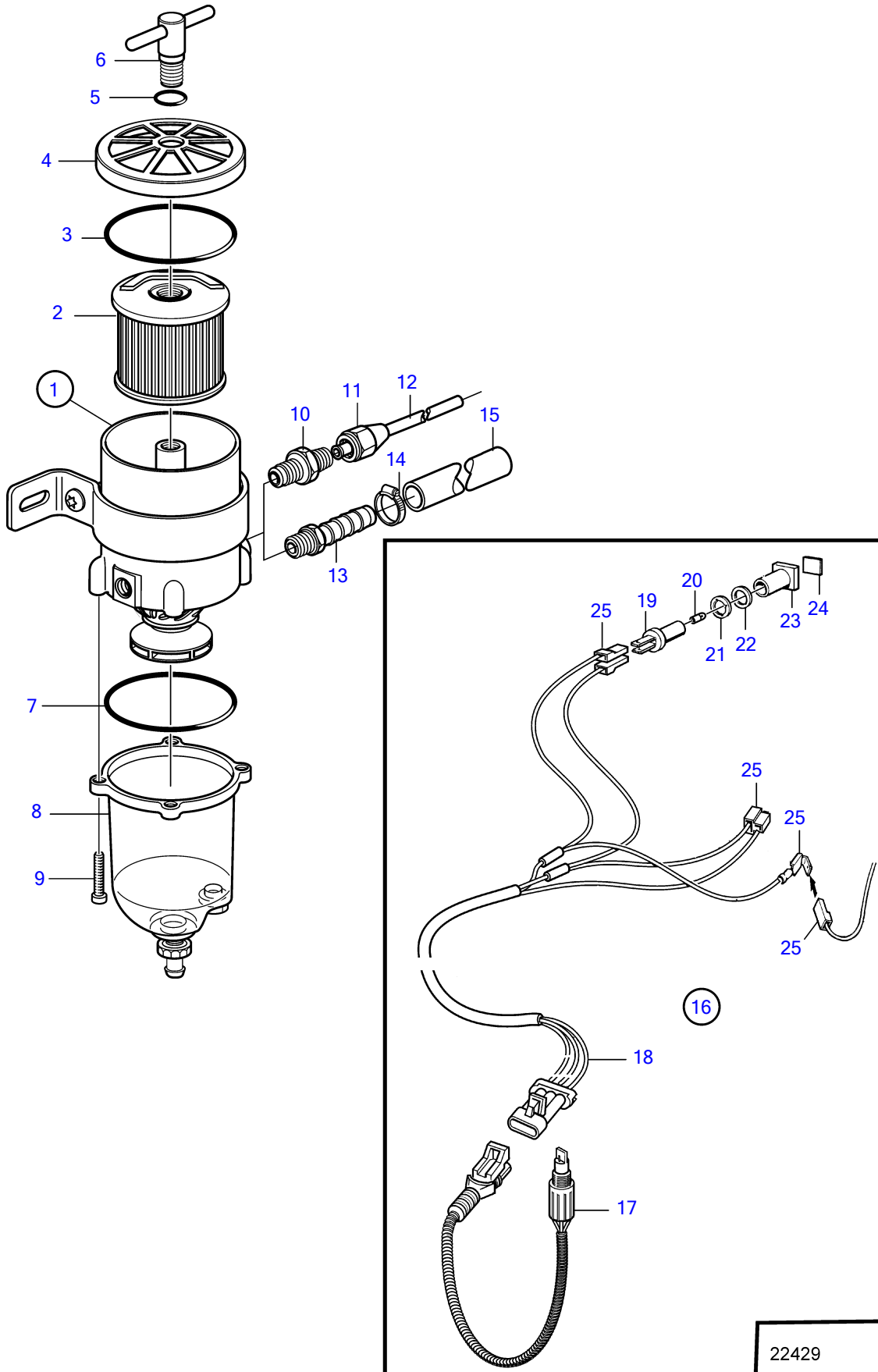


AD31L-A, AD31P-A, AD41L-A, AD41P-A, D41L-A, TAMD31L-A, TAMD31M-A, TAMD31P-A, TAMD31S-A, TAMD41H-A, TAMD41H-B, TAMD41P-A, TAMD41L-A, TAMD41M-A, TMD31L-A, TMD41L-A



AD31L-A, AD31P-A, AD41L-A, AD41P-A, D41L-A, TAMD31L-A, TAMD31M-A, TAMD31P-A, TAMD31S-A, TAMD41H-A, TAMD41H-B, TAMD41P-A, TAMD41L-A, TAMD41M-A, TMD31L-A, TMD41L-A

| REF | PART NO. | QTY | DESCRIPTION            | SEE SEC.    | NOTES                |
|-----|----------|-----|------------------------|-------------|----------------------|
| 1   | 877762   | 1   | Fuel filter            |             | (861143)             |
| 2   | 1147147  | 1   | • Fuel filter insert   |             | 2 mikron             |
|     | 861014   | 1   | • Insert               |             | 10 mikron            |
|     | 3581760  | 1   | • Insert               |             | 30 mikron            |
| 3   | 838504   | 1   | • Gasket               |             |                      |
| 4   |          | 1   | • Lock                 |             |                      |
| 5   | 838505   | 1   | • O-ring               |             |                      |
| 6   |          | 1   | • Handle               |             |                      |
| 7   | 3838861  | 1   | • Gasket               |             |                      |
| 8   | 3838848  | 1   | • Bowl                 |             |                      |
| 9   | 950024   | 4   | • Cross recessed screw |             |                      |
| 10  | 954337   | 2   | Nipple                 |             |                      |
| 11  | 954323   | 2   | Fitting nut            |             |                      |
| 12  | 1140062  | 2   | Copper tube            |             |                      |
| 13  | 3825000  | 2   | Hose nipple            |             |                      |
| 14  | 961664   | 2   | Hose clamp             |             |                      |
| 15  | 861057   | X   | Fuel hose              |             | 3/8"                 |
|     |          |     | • Bulletin P-23-4-4    | P-23-4-4-EN | Fuel Hose P/N 861057 |
| 16  | 1140724  | 1   | Level guard            |             |                      |
| 17  | 3588916  | 1   | • Alarm kit            |             |                      |
| 18  | 881774   | 1   | • Wiring harness       |             |                      |
| 19  | 808175   | 1   | • Lamp socket          |             |                      |
| 20  | 19923    | 1   | • Bulb                 |             | 12V, 2W              |
|     | 182059   | 1   | • Bulb                 |             | 24V, 3W              |
| 21  | 967583   | 1   | • Retainer             |             |                      |
| 22  | 829714   | 1   | • Sealing ring         |             |                      |
| 23  | 838455   | 1   | • Retainer             |             |                      |
| 24  | 872591   | 1   | • Symbol strip         |             |                      |
| 25  |          | X   | • cables and terminals | 1963        |                      |