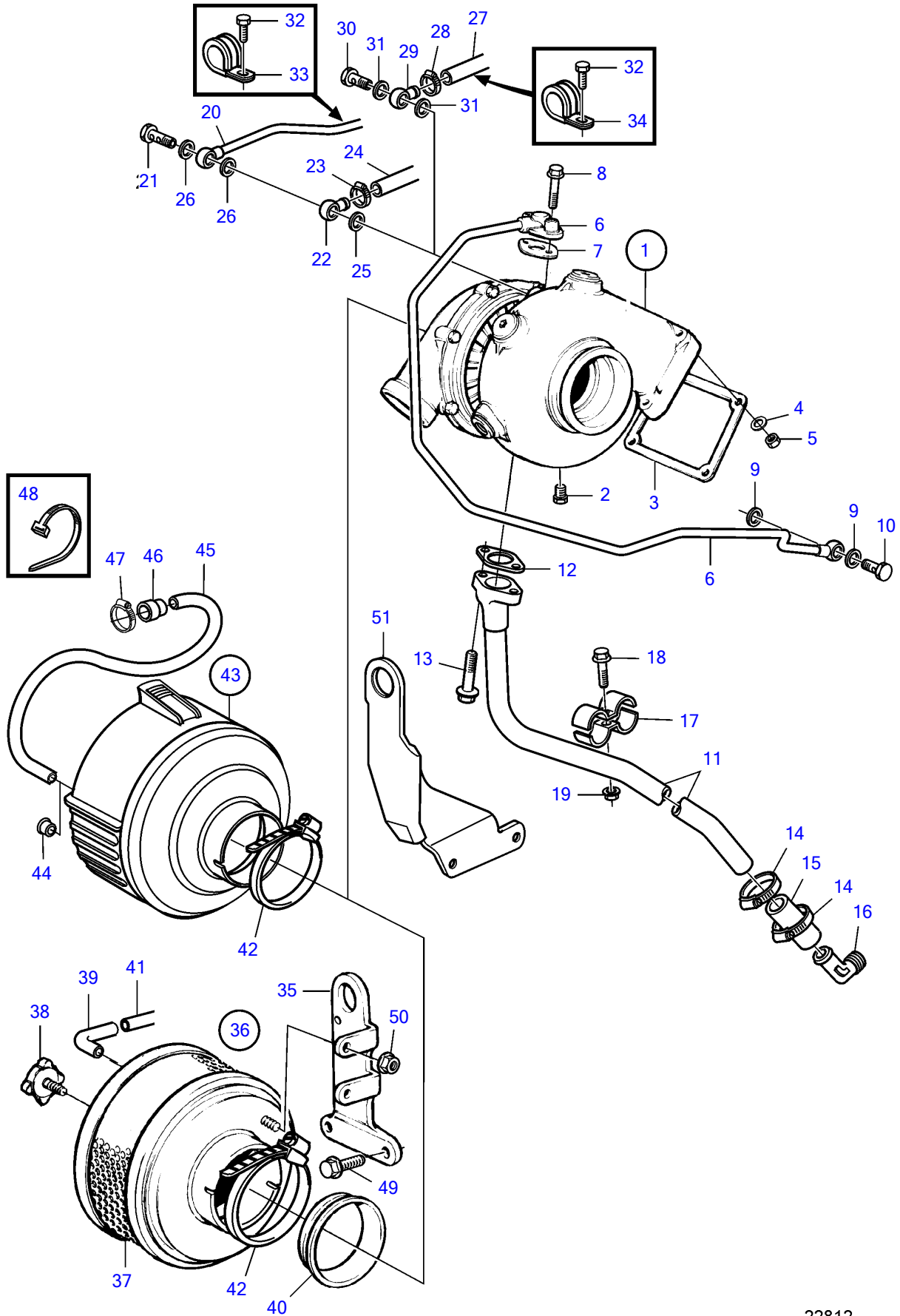


TMD31L-A



22812

Upd:2011-09-28

22812

7742700-25-3346

TMD31L-A

REF	PART NO.	QTY	DESCRIPTION	SEE SEC.	NOTES
1	3802060	1	Turbo		SN-2203125715, (860916)
			• Turbo		
			•	860	
	3802081	1	Turbocharger		SN2203125716-, (861762)
			parts not sold separately		
2	861551	1	Plug		
3	3582676	1	Gasket kit		
4	955895	4	Washer		
5	940183	4	Hexagon nut		
6	838868	1	Oil pressure pipe		
7	420641	1	Gasket		
8	945444	1	Flange screw		L=25mm
	946671	1	Flange screw		L=30mm
9	969011	2	Gasket		
10	25167	1	Hollow screw		
11	838870	1	Oil return pipe		
12	860105	1	Gasket		
13	945444	2	Flange screw		
14	943474	2	Hose clamp		
15	466328	1	Rubber hose		
16	983105	1	Hose nipple		
17	820851	2	Clamp		
18	946544	1	Flange screw		
19	945407	1	Flange nut		
20	860214	1	Air vent hose		Turbo-thermostat housing., For earlier version of expansion tank.
21	11994	2	Gasket		
22	947975	1	Hollow screw		
23	858750	1	Banjo nipple		
24	945652	1	Hose clamp		
25	942700	X	Hose		Expansion tank-Turbo., For earlier version of expansion tank.
26	11994	1	Gasket		
27	942700	X	Hose		Expansion tank-Turbo., For later version of expansion tank., L=580mm
28	945652	1	Hose clamp		
29	858750	1	Banjo nipple		
30	969299	1	Hollow screw		
31	11994	2	Gasket		
32	967949	2	Flange screw		
33	952624	1	Clamp		
34	952627	1	Clamp		
35	838829	1	Bracket		Early type
36	861434	1	Air cleaner		Repl by 3582367
			• Bulletin 44-47	44-47-EN	New Air Filter for 31, 41 and TAMD42WJ Engines
37	858488	1	• Air filter insert		
38	859729	1	• Knob		
39	861391	1	• Protecting sleeve		
40	946234	X	Tube		L=670mm
41	838855	1	Sealing ring		
42	943481	1	Hose clamp		
43	946329	2	Flange screw		Early type
44	945407	2	Flange nut		Early type
45	3582367	1	Air filter kit		
			• Bulletin 44-47	44-47-EN	New Air Filter for 31, 41 and TAMD42WJ Engines
46	940285	1	• Plug		
47		X	• Tube		L=670mm
48	861114	1	• Protecting sleeve		
49	943472	1	• Hose clamp		
50	948211	1	• Cable tie		
51	860419	1	Lifting bracket		Late type

7742700-25-3346

22812

Upd:2011-09-28