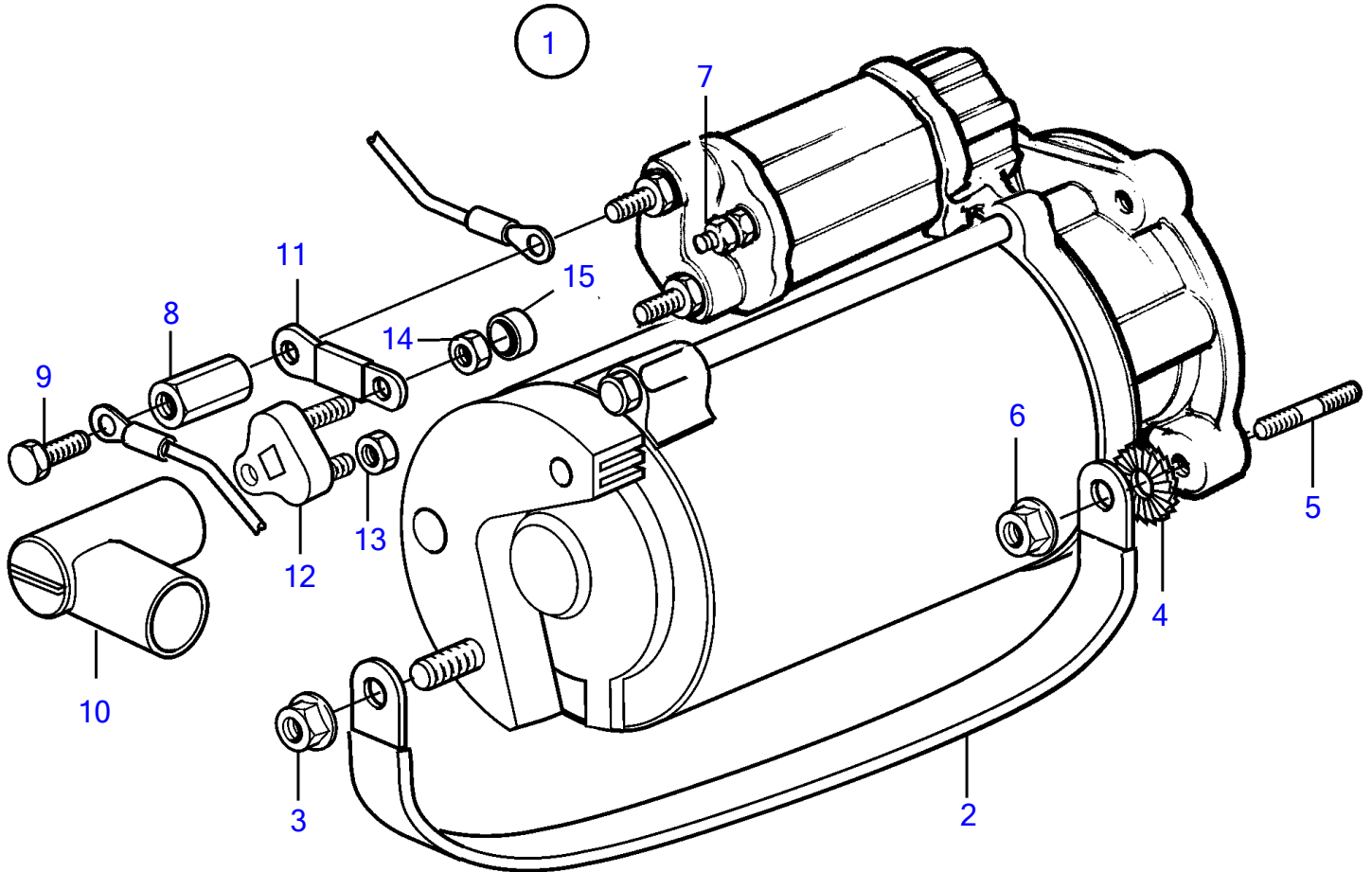


AD31L-A, AD31P-A



23095

**AD31L-A, AD31P-A**

REF	PART NO.	QTY	DESCRIPTION	SEE SEC.	NOTES
1	859252	1	Starter motor		Repl by 3581774
			.		
			.	583	
	3581774	1	Starter motor		
	3803386	1	Starter motor, exch, exch		
			.		
			.	4930	
2	968048	1	Chassis ground cable		
3	945408	1	Flange nut		
4	945987	1	Toothed washer		
5	953067	2	Stud		L=45mm
	953069	1	Stud		L=50mm
6	971095	3	Flange nut		
7	965483	1	Flange nut		
8	855314	1	Nut		
9	947107	1	Flange screw		
10	855798	1	Protecting sleeve		
11	860212	1	Current bar		
12	3819905	1	Fuse		(856355)
13	945407	1	Flange nut		
14	853573	1	Anode kit		
15	853572	1	Protective cap		