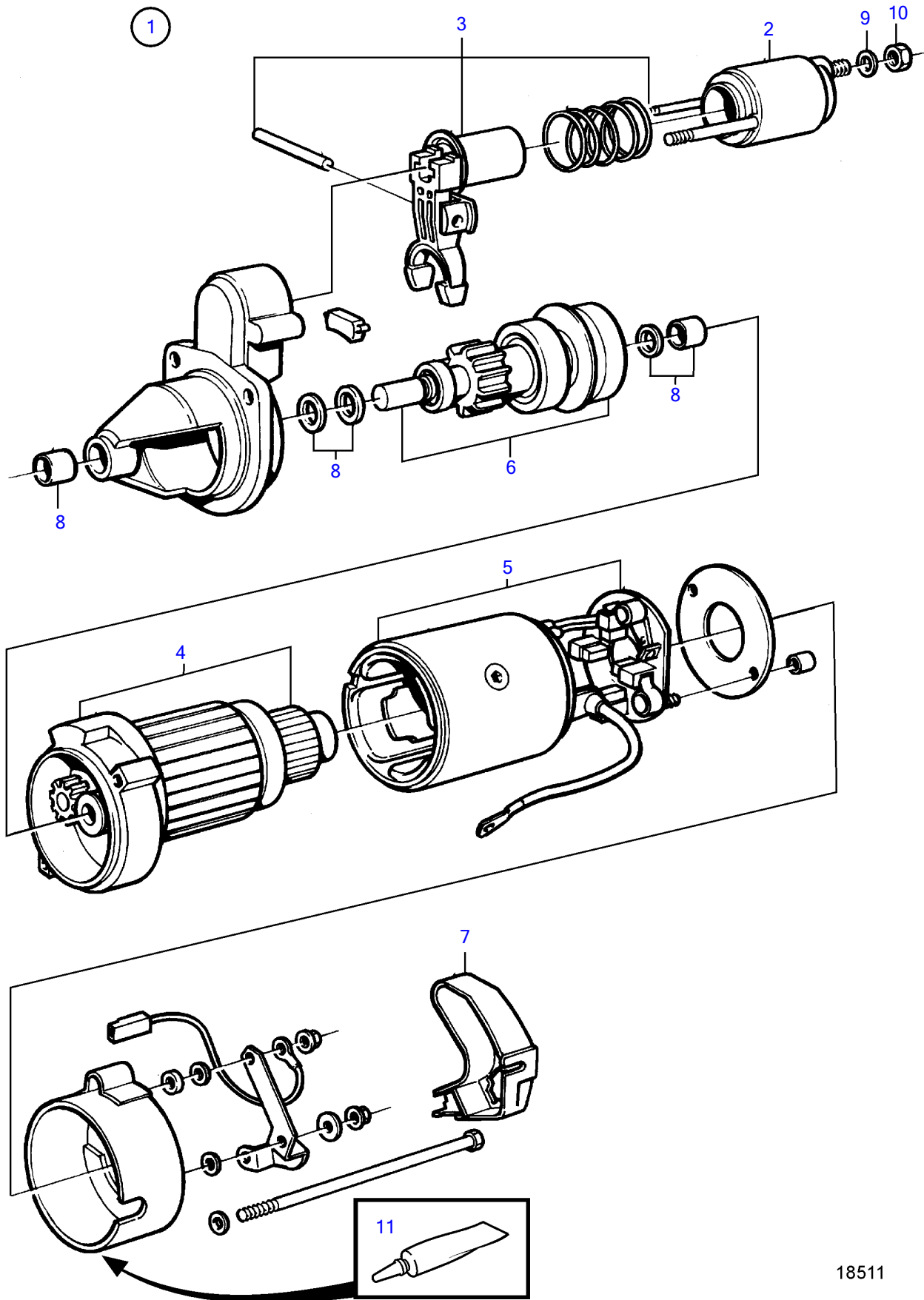


AD31L-A, AD31P-A, AD41L-A, AD41P-A, D41L-A, TAMD31L-A, TAMD31M-A, TAMD31P-A, TAMD31S-A, TAMD41H-A, TAMD41H-B, TAMD41P-A, TAMD41L-A, TAMD41M-A, TMD31L-A, TMD41L-A



18511

AD31L-A, AD31P-A, AD41L-A, AD41P-A, D41L-A, TAMD31L-A, TAMD31M-A, TAMD31P-A, TAMD31S-A, TAMD41H-A, TAMD41H-B, TAMD41P-A, TAMD41L-A, TAMD41M-A, TMD31L-A, TMD41L-A

| REF | PART NO. | QTY | DESCRIPTION | NOTES |
|-----|----------|-----|----------------------|----------------------|
| 1 | 859252 | 1 | Starter motor | 2-pole., E.U=3803118 |
| 2 | 859618 | 1 | • Solenoid switch | |
| 3 | 859619 | 1 | • Intermediate lever | |
| 4 | (859621) | 1 | • Rotor | Obsolete part |
| 5 | (859622) | 1 | • Field winding | Obsolete part |
| 6 | 859623 | 1 | • Starter pinion | |
| 7 | 860439 | 1 | • Cover | |
| 8 | 859620 | 1 | • Repair kit | |
| 9 | 941907 | 1 | Spring washer | |
| 10 | 955782 | 1 | Hexagon nut | |
| 11 | 1161277 | X | Sealant | Black, 20g |
| | 1161231 | X | Sealant | Black, 0.31L |