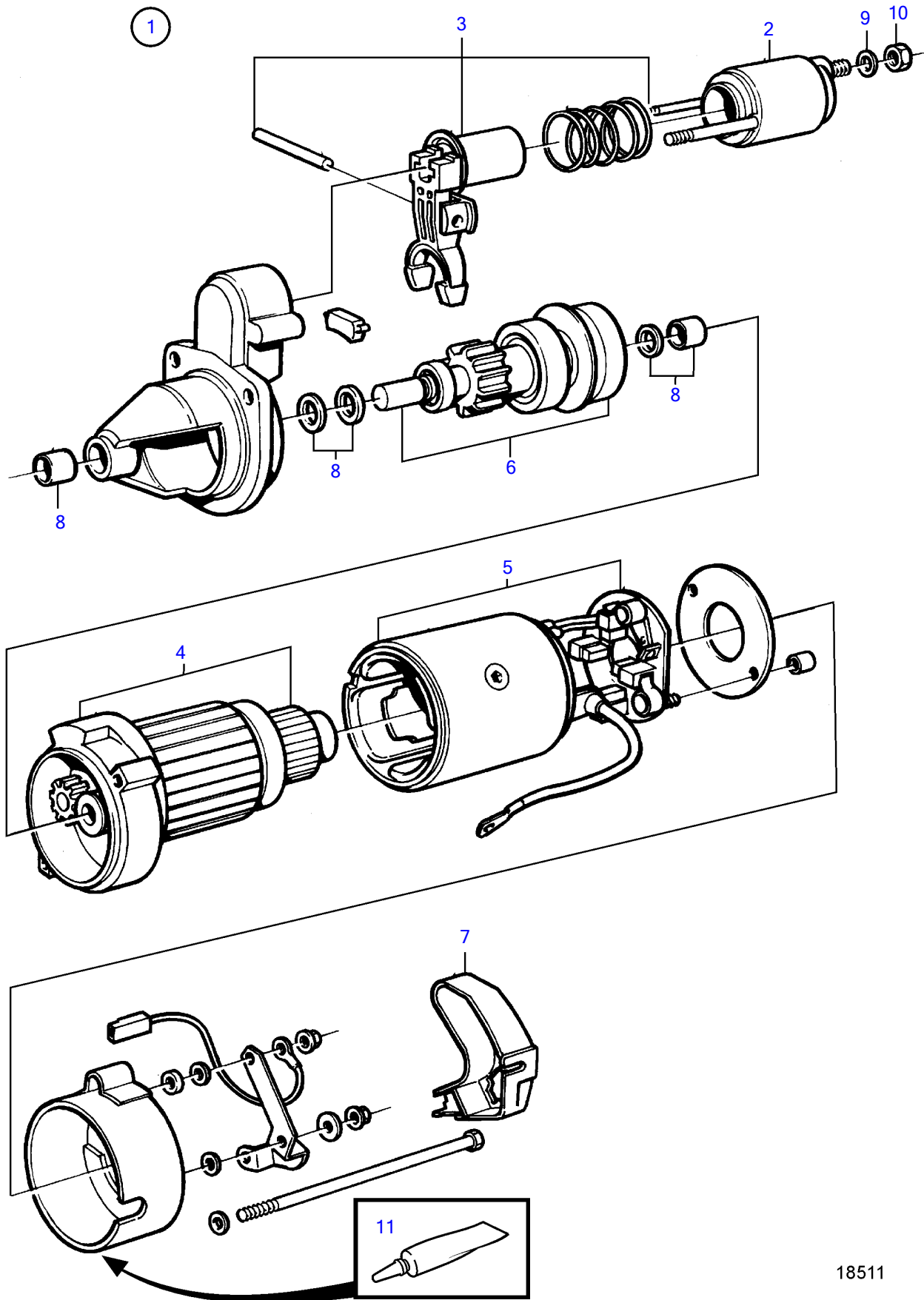


AD31L-A, AD31P-A, AD41L-A, AD41P-A, D41L-A, TAMD31L-A, TAMD31M-A, TAMD31P-A, TAMD31S-A, TAMD41H-A, TAMD41H-B, TAMD41P-A, TAMD41L-A, TAMD41M-A, TMD31L-A, TMD41L-A



18511

AD31L-A, AD31P-A, AD41L-A, AD41P-A, D41L-A, TAMD31L-A, TAMD31M-A, TAMD31P-A, TAMD31S-A, TAMD41H-A, TAMD41H-B, TAMD41P-A, TAMD41L-A, TAMD41M-A, TMD31L-A, TMD41L-A

REF	PART NO.	QTY	DESCRIPTION	NOTES
1	859252	1	Starter motor	2-pole., E.U=3803118
2	859618	1	• Solenoid switch	
3	859619	1	• Intermediate lever	
4	(859621)	1	• Rotor	Obsolete part
5	(859622)	1	• Field winding	Obsolete part
6	859623	1	• Starter pinion	
7	860439	1	• Cover	
8	859620	1	• Repair kit	
9	941907	1	Spring washer	
10	955782	1	Hexagon nut	
11	1161277	X	Sealant	Black, 20g
	1161231	X	Sealant	Black, 0.31L