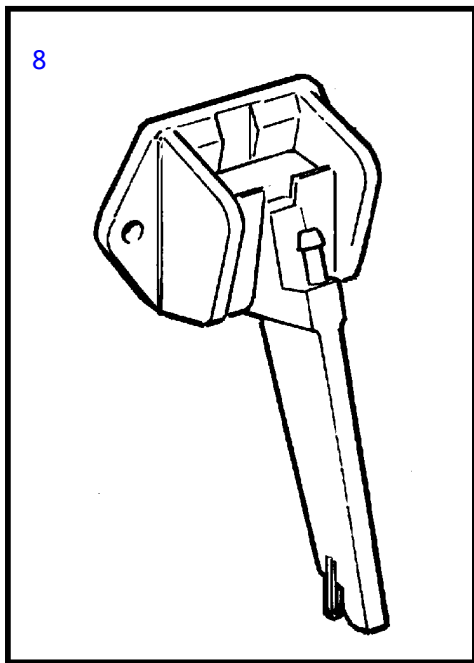
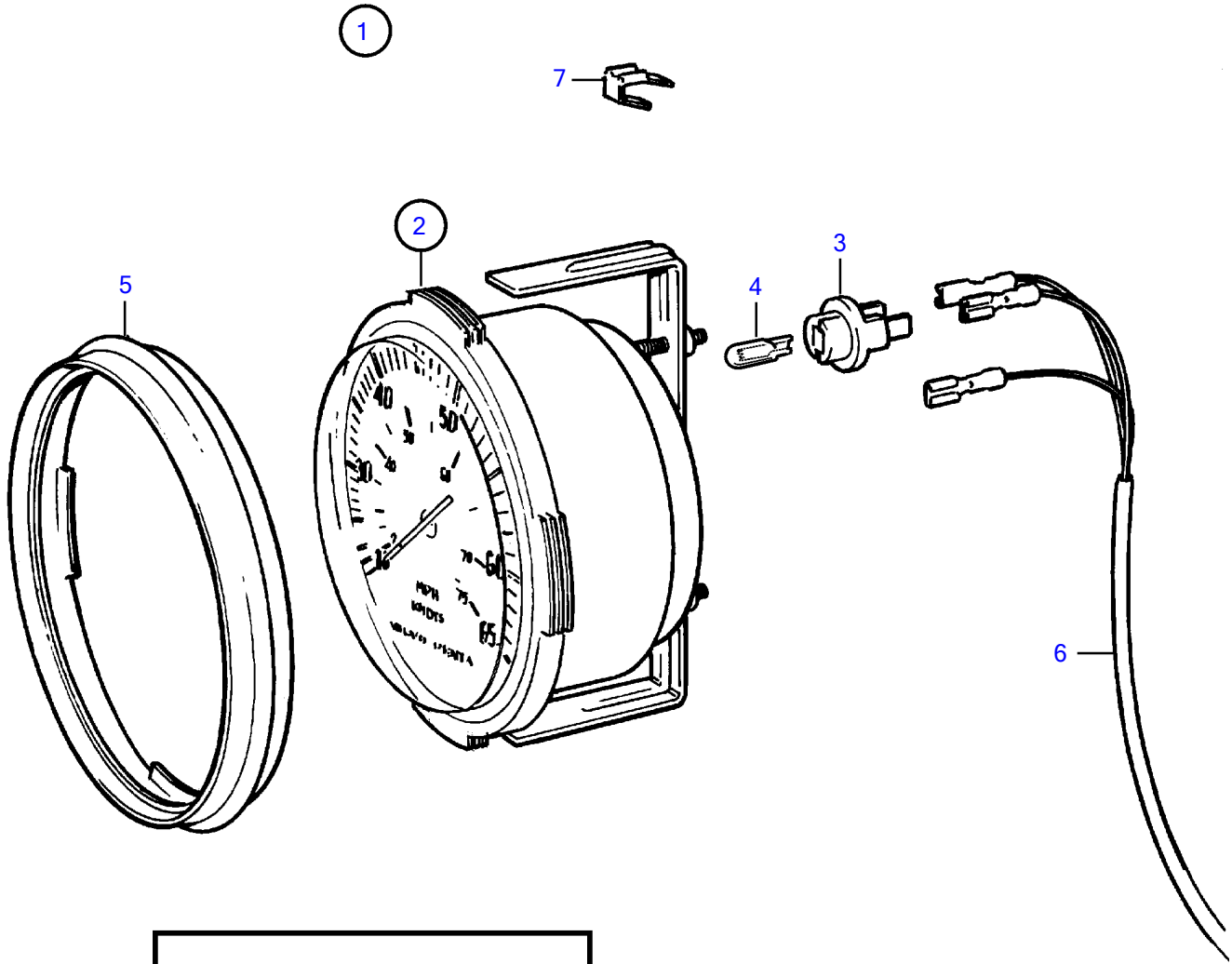


AD31L-A, AD31P-A, AD41L-A, AD41P-A, D41L-A, TAM31L-A, TAM31M-A, TAM31P-A, TAM31S-A, TAM41H-A, TAM41H-B, TAM41P-A, TAM41L-A, TAM41M-A, TMD31L-A, TMD41L-A



AD31L-A, AD31P-A, AD41L-A, AD41P-A, D41L-A, TAMD31L-A, TAMD31M-A, TAMD31P-A, TAMD31S-A, TAMD41H-A, TAMD41H-B, TAMD41P-A, TAMD41L-A, TAMD41M-A, TMD31L-A, TMD41L-A

REF	PART NO.	QTY	DESCRIPTION	NOTES
1	1140433	1	Pressure log kit	
2	856810	1	• Pressure log	
3	863945	1	• • Lamp socket	
4	863946	1	• • Bulb	
5	856805	1	• Ring	
6	856865	1	• Cable kit	
7	943950	1	• Switch	
8	(856818)	1	• Connector kit	Obsolete part