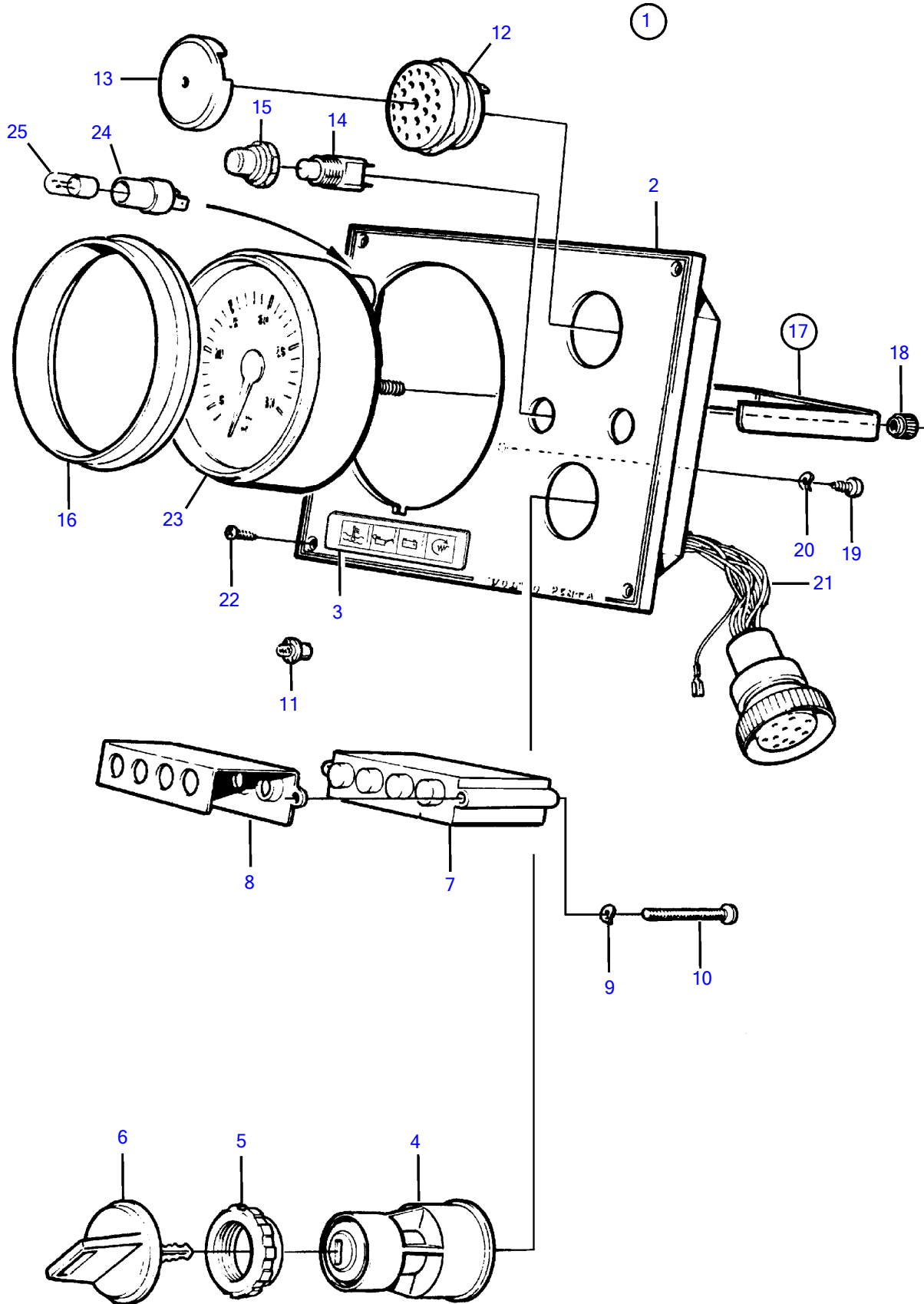


AD31L-A, AD31P-A, AD41L-A, AD41P-A, D41L-A, TAMD31L-A, TAMD31M-A, TAMD31P-A, TAMD31S-A, TAMD41H-A, TAMD41H-B, TAMD41P-A, TAMD41L-A, TAMD41M-A, TMD31L-A, TMD41L-A



AD31L-A, AD31P-A, AD41L-A, AD41P-A, D41L-A, TAMD31L-A, TAMD31M-A, TAMD31P-A, TAMD31S-A, TAMD41H-A, TAMD41H-B, TAMD41P-A, TAMD41L-A, TAMD41M-A, TMD31L-A, TMD41L-A

REF	PART NO.	QTY	DESCRIPTION	SEE SEC.	NOTES
1	3587077	1	Instrument panel		(873593)
2	860183	1	• Instrument panel		
3	858645	1	• Symbol strip		
4	3587072	1	• Starter switch		(864277)
5	859955	2	• • Plastic nut		
6	859953	1	• • Key		State key code when ordering.
			• Bulletin 49-30	49-30-EN	Key P/N 859953
7	873737	1	• Electronic unit		
8	828784	1	• Reflector		
9	941904	2	• Spring washer		
10	(941615)	2	• Cross recessed screw		Obsolete part
11	19923	4	• Bulb		12V
12	828587	1	• Buzzer		
13	858795	1	• Protecting casing		
14	828584	1	• Toggle switch		Alarm test
	828585	1	• Toggle switch		Instr. light
15	828586	2	• Nut		
16	873517	1	• Ring		
17	873208	1	• Brace kit		
18		2	• • Nut		
19	949947	1	• Cross recessed screw		
20	941904	1	• Spring washer		
21	828648	1	• Cable kit		
22	828647	4	• Screw		
23	873992	1	Tachometer kit		4600 rpm
24	863945	1	• Lamp socket		
25	863946	1	• Bulb		12V, 1,2W red