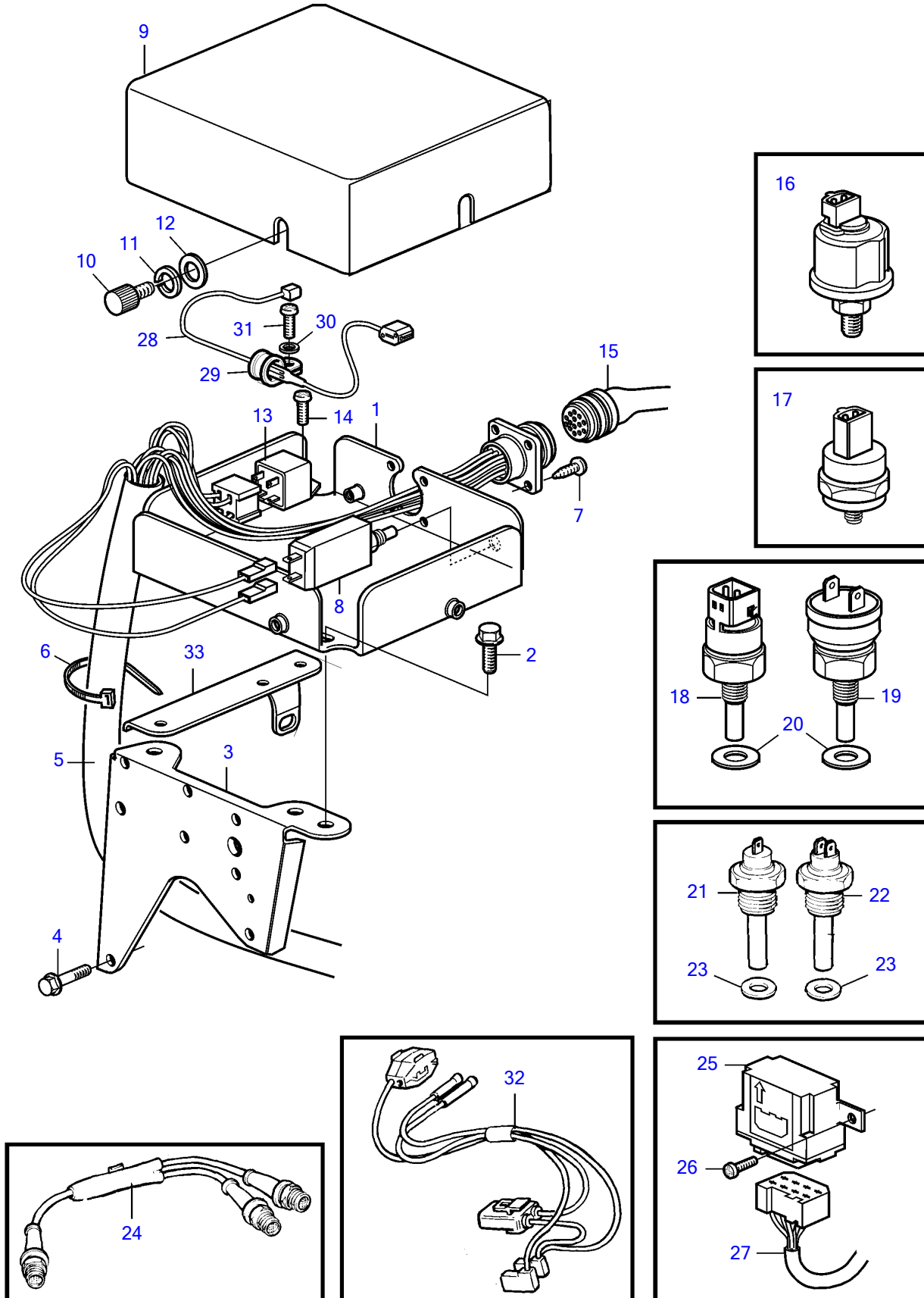


TAMD41H-A, TAMD41H-B, TAMD41P-A, TAMD41L-A, TAMD41M-A, TMD41L-A



TAMD41H-A, TAMD41H-B, TAMD41P-A, TAMD41L-A, TAMD41M-A, TMD41L-A

REF	PART NO.	QTY	DESCRIPTION	SEE SEC.	NOTES
1	860417	1	Bracket		
2	948746	2	Flange screw		
3	3580668	1	Bracket		
4	946470	1	Flange screw		L=35mm
	948217	1	Flange screw		L=45mm
5	873550	1	Wiring harness		Replaced by 1pcs 873744, wiring harness, and 1pcs 873740, relay.
	873744	1	Wiring harness		SN2204115148-
	873532	1	Wiring harness		Replaced by 1pcs 873745, wiring harness, and 1pcs 873740, relay., SOLAS
	873745	1	Wiring harness		SOLAS
6	948211	X	Cable tie		
7	955119	4	Cross recessed screw		
8	966689	1	Fuse		For 24V electrical system use 2pcs 966689, fuse., 24V
9	(860779)	1	Cover		Obsolete part
10	846736	3	Lock screw		
11	941904	3	Spring washer		
12	960137	3	Washer		
13	873740	1	Relay		12V, 40A
	838955	1	Relay		24V, 50A
	873611	1	Relay		24V, 20A
	1324492	1	Relay		
14	968476	X	Flange screw		
15	846648	1	Extension cable'verl		L=3.0m
	846649	1	Extension cable'verl		L=5.0m
	846650	1	Extension cable'verl		L=7.0m
16	866835	1	Sensor, oil-engine		0-10BAR
			· Bulletin P-38-6-1	P-38-6-1-EN	Vibration Damping Kit
16	866836	1	Sensor		For double steering positions., Alt,0-10bar
17	863169	1	Pressure monitor, oil-pressure		0,7bar
18	862250	1	Thermo monitor, coolant water temp.		24V 97°C, for 873532
19	873877	1	Thermo monitor, coolant water temp.		
20	957181	2	Gasket		
21	873066	1	Thermo monitor, coolant water temp.		1-way., Alt, 12V 97°C
	827151	1	Temperature sensor, coolant water temp.		1-way., 40-120°C
	840074	1	Temperature sensor, coolant water temp.		1-way., For double instruments., Alt, 40-120°C
22	843325	1	Temperature sensor, coolant water temp.		2-way., 24V 120°C
23	11998	2	Gasket		
24	1140598	X	Distributing contact		For double steering positions.
25	873112	1	Position sensor		SOLAS
26	968476	2	Flange screw		
27		1	Wiring harness		SOLAS
28	873828	1	Resistor		
	873717	1	Resistor		SOLAS, later prod
29	952627	1	Clamp		
30	942767	1	Toothed washer		
31	968476	1	Flange screw		
32	873543	1	Cable kit		Cable kit 873543 is used as adapter between cable harness 873745 and thermo monitor 862250.
33	3581444	1	Bracket		