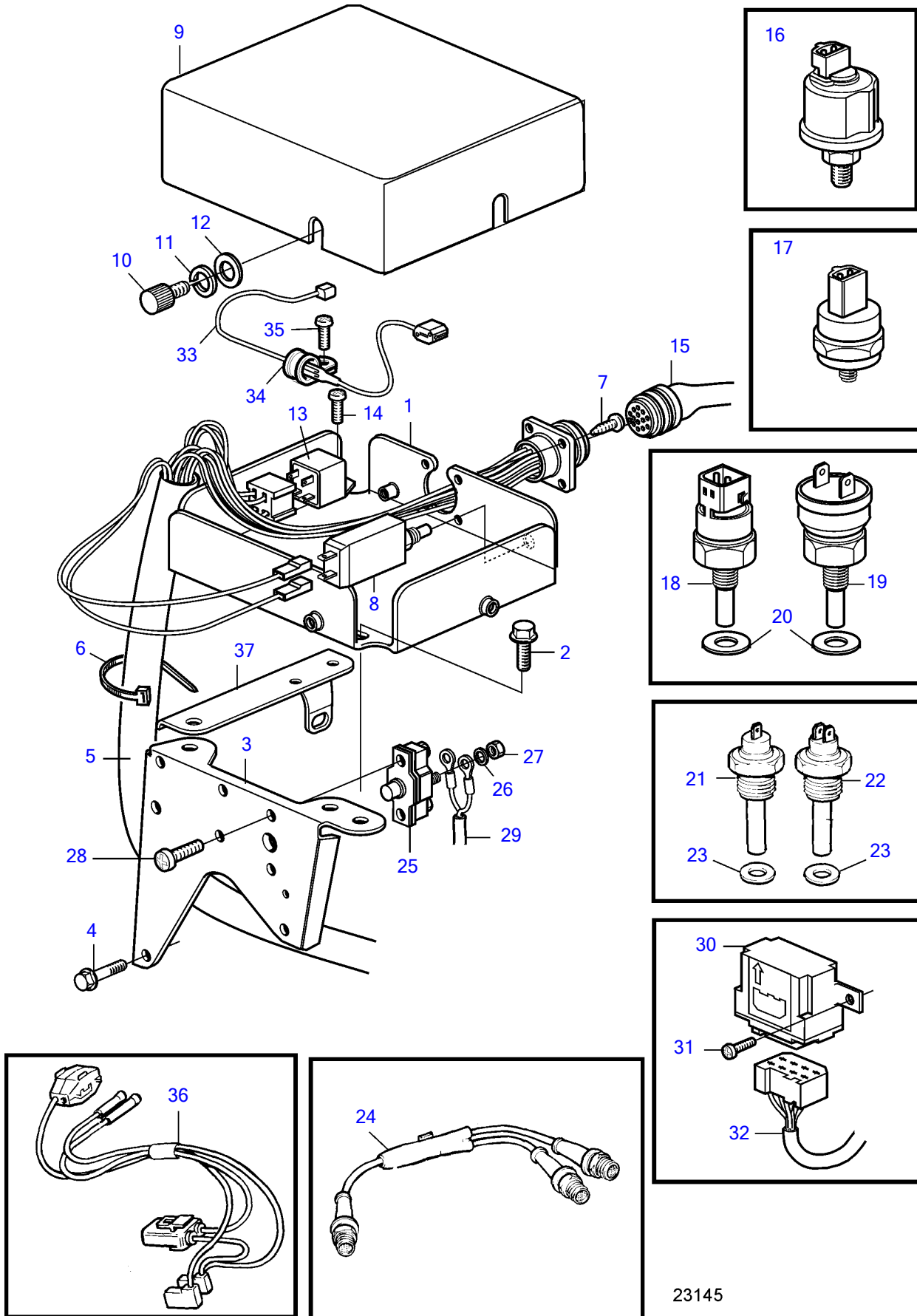


AD31L-A, AD31P-A, TAMD31L-A, TAMD31M-A, TAMD31P-A, TAMD31S-A, TMD31L-A



23145

AD31L-A, AD31P-A, TAMD31L-A, TAMD31M-A, TAMD31P-A, TAMD31S-A, TMD31L-A

REF	PART NO.	QTY	DESCRIPTION	SEE SEC.	NOTES
1	860417	1	Bracket		
2	948746	2	Flange screw		
3	3580668	1	Bracket		
4	946470	1	Flange screw		L=35mm
	948217	1	Flange screw		L=45mm
5	873550	1	Wiring harness		Replaced by 1pcs 873744, wiring harness, and 1pcs 873740, relay., SN-2203126467
	873744	1	Wiring harness		SN2203126468-
	873532	1	Wiring harness		Replaced by 1pcs 873745, wiring harness, and 1pcs 873740, relay., SOLAS
	873745	1	Wiring harness		SOLAS
6	948211	X	Cable tie		
7	955119	4	Cross recessed screw		
8	966689	1	Fuse		For 24V electrical system use 2pcs 966689, fuse., 24V
9	(860779)	1	Cover		Obsolete part
10	846736	3	Lock screw		
11	941904	3	Spring washer		
12	960137	3	Washer		
13	873740	1	Relay		12V, 40A
	838955	1	Relay		24V, 50A
	873611	1	Relay		24V, 20A
	1324492	1	Relay		
14	968476	X	Flange screw		
15	846648	1	Extension cable'verl		L=3.0m
	846649	1	Extension cable'verl		L=5.0m
	846650	1	Extension cable'verl		L=9.0m
16	866835	1	Sensor, oil-engine		0-10BAR
			• Bulletin P-38-6-1	P-38-6-1-EN	Vibration Damping Kit
16	866836	1	Sensor, oil-engine		For double instruments., Alt,0-10bar
17	863169	1	Pressure monitor, oil-pressure		0,7bar
18	862250	1	Thermo monitor, coolant water temp.		24V 97°C, for 873532
19	873877	1	Thermo monitor, coolant water temp.		
20	957181	2	Gasket		
21	873066	1	Thermo monitor, coolant water temp.		1-way., 12V 97°C
	827151	1	Temperature sensor, coolant water temp.		1-way., 12V 40-120°C
	840074	1	Temperature sensor, coolant water temp.		1-way., For double instruments., Alt,12V 40-120°C
22	843325	1	Temperature sensor, coolant water temp.		2-way., 24V 120°C
23	11998	2	Gasket		
24	1140598	X	Distributing contact		Included in gasket kit, decarbonizing 276035.
25	856337	1	Automatic fuse		AD31/SX
26		2	• Washer		
27		2	• Nut		
28	3853620	2	Hexagon screw		AD31/SX
29	873603	1	Wiring harness, cables and terminals	1963	AD31/SX
30	873112	1	Position sensor		SOLAS
31	968476	2	Flange screw		
32		1	Wiring harness		
33	873828	1	Resistor		
	873717	1	Resistor		SOLAS, later prod
34	952627	1	Clamp		
35	968476	1	Flange screw		
36	873543	1	Cable kit		Cable kit 873543 is used as adapter between cable harness 873745 and thermo monitor 862250.
37	3581444	1	Bracket		

7742700-30-1746

23145

Upd:2011-09-28