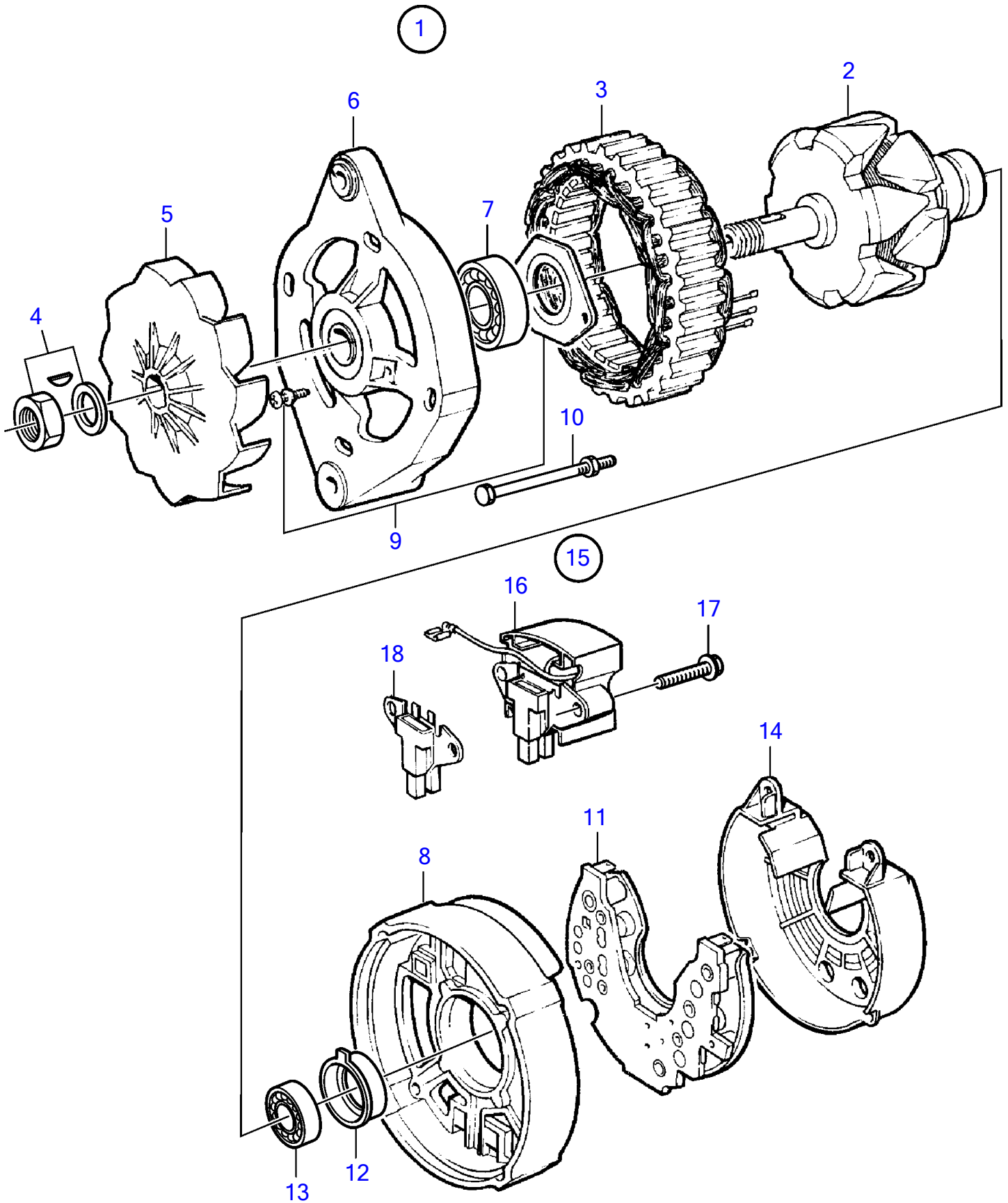


AD31L-A, AD31P-A, AD41L-A, AD41P-A, D41L-A, TAMD31L-A, TAMD31M-A, TAMD31P-A, TAMD31S-A, TAMD41H-A, TAMD41H-B, TAMD41P-A, TAMD41L-A, TAMD41M-A, TMD31L-A, TMD41L-A



AD31L-A, AD31P-A, AD41L-A, AD41P-A, D41L-A, TAMD31L-A, TAMD31M-A, TAMD31P-A, TAMD31S-A, TAMD41H-A, TAMD41H-B, TAMD41P-A, TAMD41L-A, TAMD41M-A, TMD31L-A, TMD41L-A

REF	PART NO.	QTY	DESCRIPTION	NOTES
1	849602	1	Alternator	28V 30A
2	(838912)	1	• Rotor	Obsolete part
3	(848401)	1	• Field winding	Obsolete part
4		1	• Kit	
5		1	• Fan	
6		1	• End plate	
7		1	• Ball bearing	
8		1	• End plate	
9		1	• Kit	
10		1	• Screw kit	
11	(1698689)	1	• Diode bridge	Obsolete part
12		1	• Bearing carrier	
13		1	• Ball bearing	
14	847712	1	• Protecting casing	
15	872368	1	• Regulator kit	(864006)
16		1	• • Governor	
17	859312	6	• • Screw	
18	840632	1	• • Brush retainer	