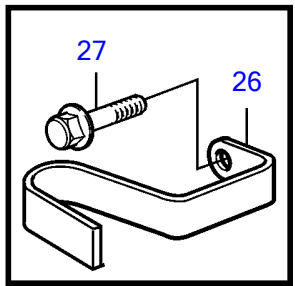
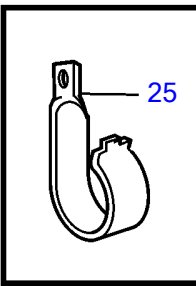
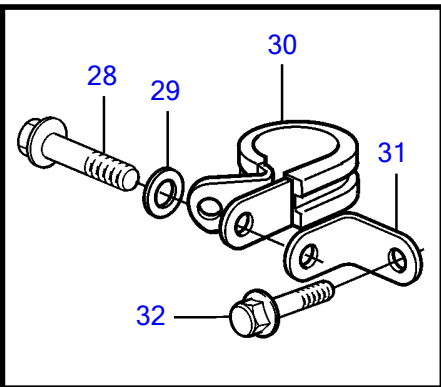
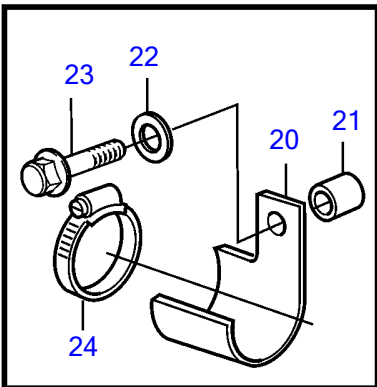
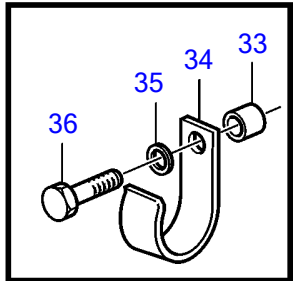
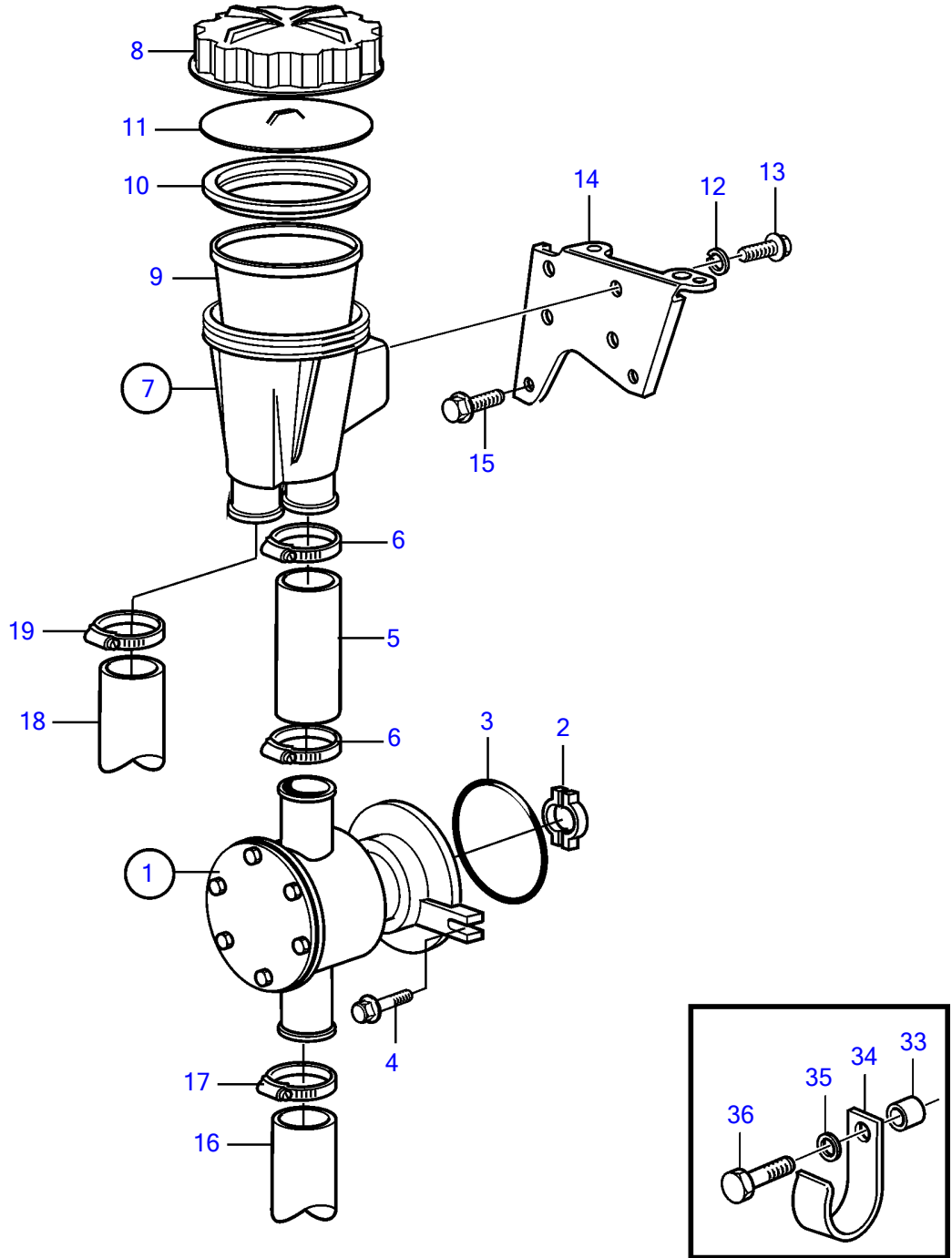


AD41L-A, AD41P-A, D41L-A



23079

23079

Upd:2011-09-28

7742700-26-1734

AD41L-A, AD41P-A, D41L-A

REF	PART NO.	QTY	DESCRIPTION	SEE SEC.	NOTES
1	860629	1	Sea water pump		Repl by 3581558
			.		
			.	6012	
	3581558	1	Sea water pump		Repl by 3583115
			.		
			.	6012	
	3583115	1	Sea water pump		
			.		
			.	6012	
2	858467	1	Companion flange		
3	968971	1	O-ring		
4	946173	2	Flange screw		
5	949315	1	Rubber hose		L=60mm
6	943476	2	Hose clamp		
7	3583840	1	Sea water filter		(860631)
8	842722	1	• Cover		
9	860687	1	• Strainer		
10	842724	1	• Sealing		
11	842982	1	• Pressure plate		
12	941907	4	• Spring washer		
13	965215	4	• Flange screw		
14	3580668	1	Bracket		
15	946470	1	Flange screw		L=35mm
	948217	1	Flange screw		L=45mm
16	861738	1	Hose		Intake-sea water pump.
17	961669	2	Hose clamp		
18	861018	1	Hose		Sea water filter-oil cooler.
19	943476	1	Hose clamp		
20	3580758	1	Bracket		
21	843075	1	Spacer sleeve		
22	955894	1	Washer		
23	945444	1	Flange screw		
24	961669	1	Hose clamp		
25	834974	1	Clamp		
26	861387	1	Bracket		
27	947760	1	Flange screw		
28	948746	1	Flange screw		
29	955893	1	Washer		
30	952640	1	Clamp		
31	846780	1	Bracket		
32	965181	1	Flange screw		
33	843075	1	Spacer sleeve		
34	945444	1	Flange screw		
35	955894	1	Washer		
36	857045	1	Clamp		

7742700-26-1734

23079

Upd:2011-09-28