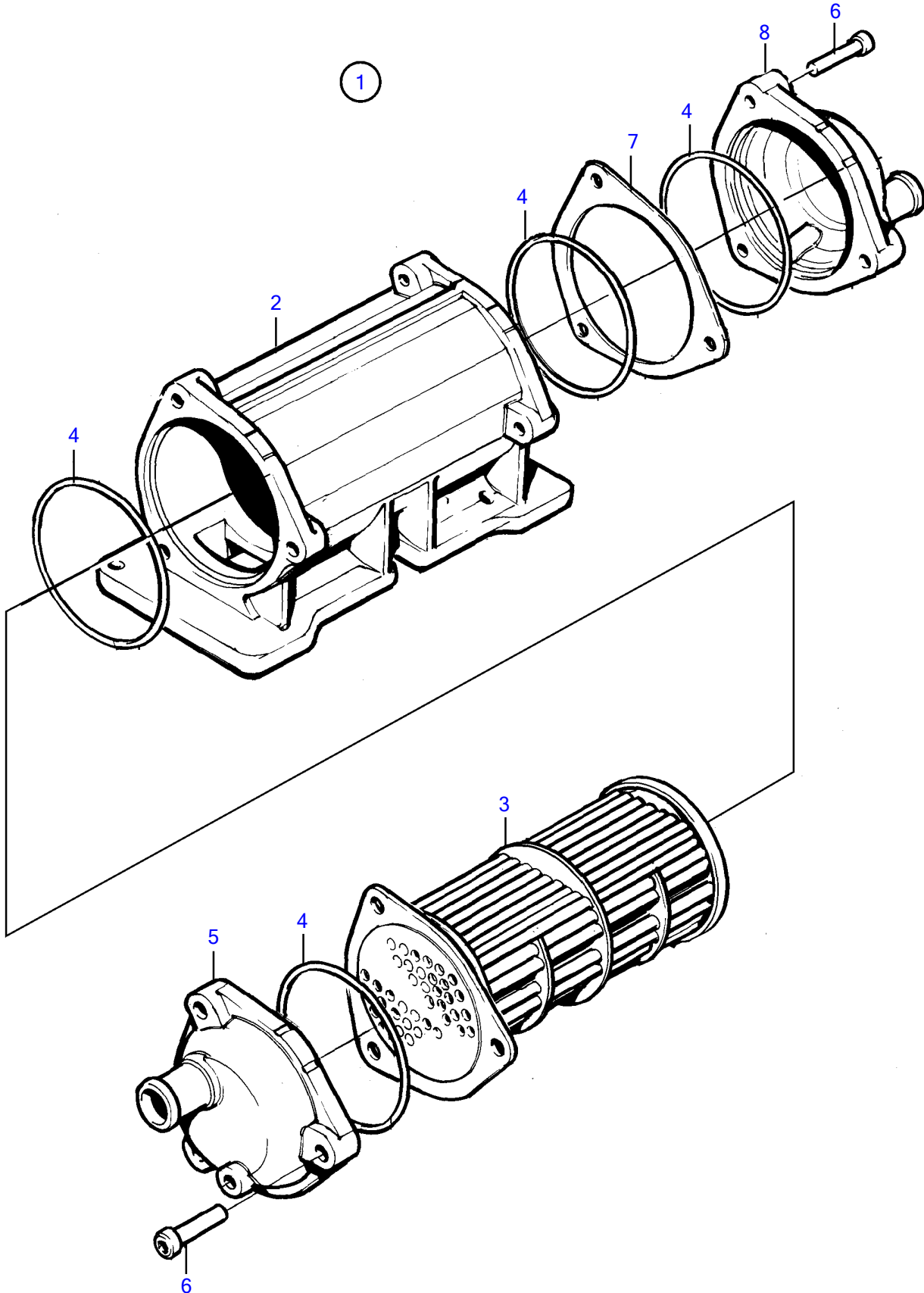


AD41L-A, AD41P-A, D41L-A, TMD41L-A



AD41L-A, AD41P-A, D41L-A, TMD41L-A

REF	PART NO.	QTY	DESCRIPTION
1	861601	1	Oil cooler
2		1	• Housing
3	3580869	1	• Insert
4	3581070	4	• O-ring
5	3580867	1	• End plate
6	959224	6	• Hex. socket screw
7	3580870	1	• Washer
8	3580866	1	• End plate

7742700-26-9730

18293

Upd:2011-09-28