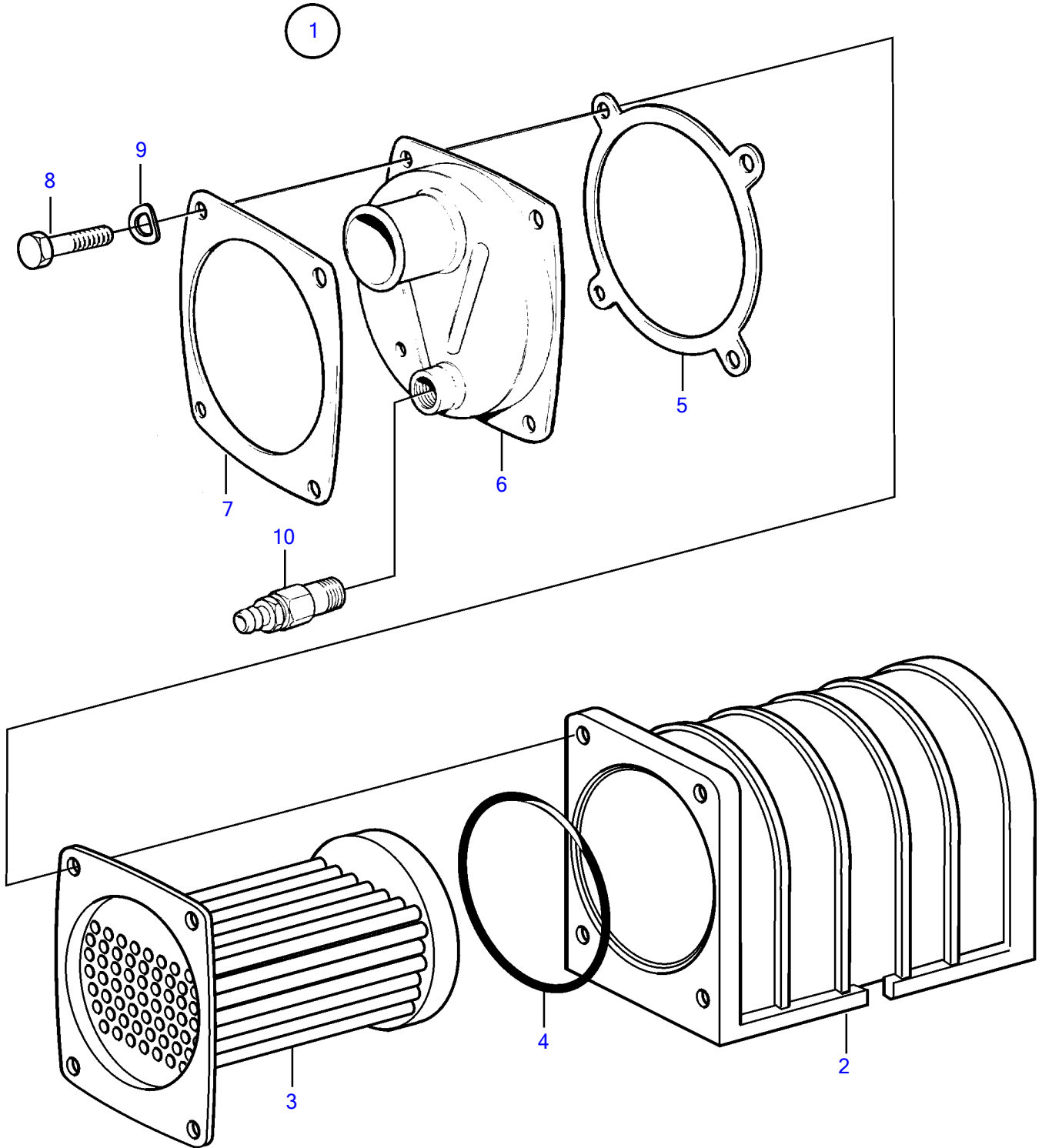


AD41L-A, AD41P-A, D41L-A, TAMD41P-A, TAMD41L-A, TAMD41M-A, TMD41L-A



AD41L-A, AD41P-A, D41L-A, TAMD41P-A, TAMD41L-A, TAMD41M-A, TMD41L-A

REF	PART NO.	QTY	DESCRIPTION
1	860635	1	Oil cooler
2		1	• Housing
3	860636	1	• Insert
4	948981	1	• O-ring
5	842597	1	• Gasket
6	842602	1	• End cover
7	842596	1	• Flange
8	955297	4	• Hexagon screw
9	941907	4	• Spring washer
10	949918	1	• Shut-off cock