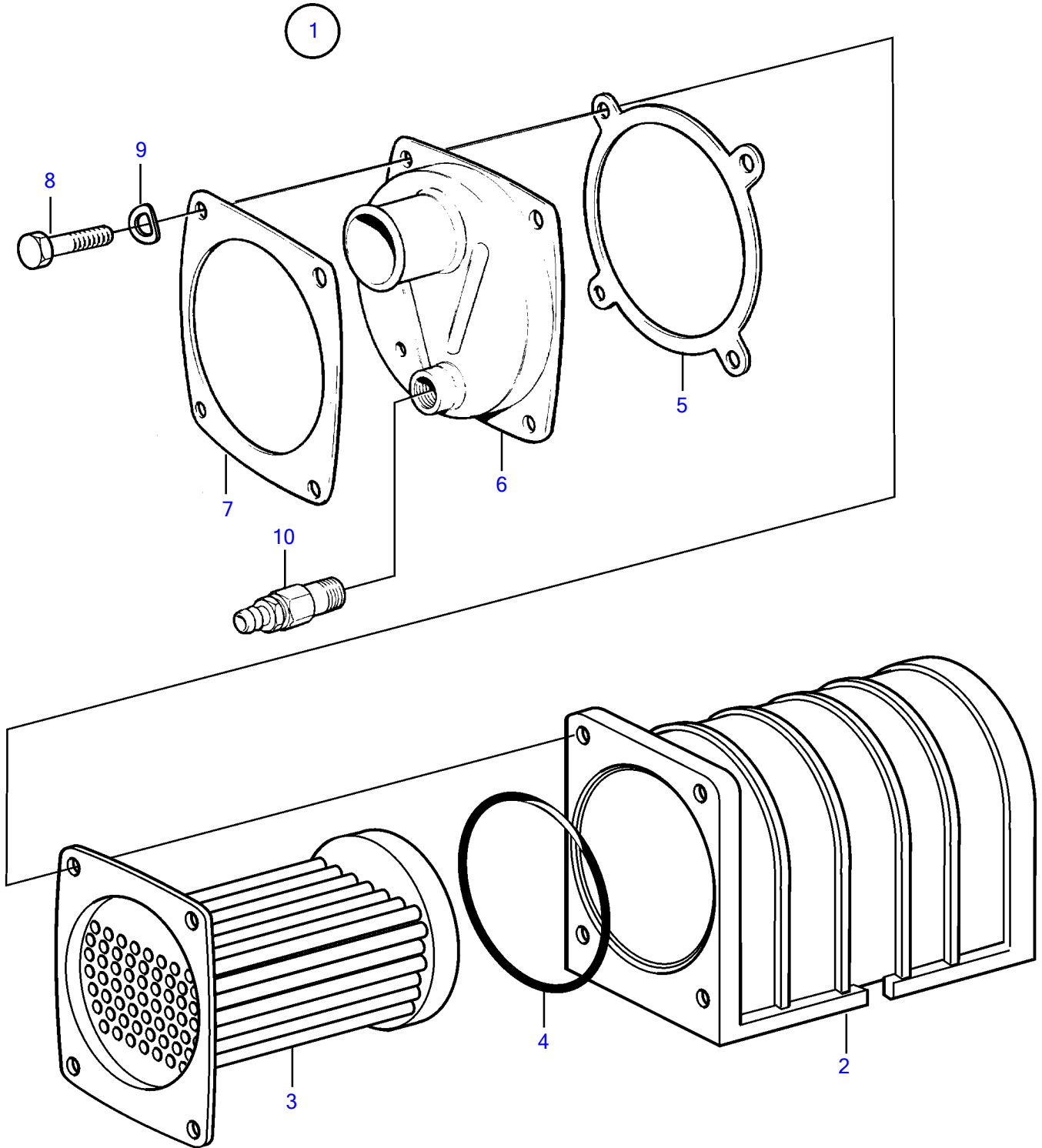


AD31L-A, AD31P-A, TAMD31L-A, TAMD31M-A, TAMD31P-A, TAMD41H-A, TMD31L-A



AD31L-A, AD31P-A, TAMD31L-A, TAMD31M-A, TAMD31P-A, TAMD41H-A, TMD31L-A

| REF | PART NO. | QTY | DESCRIPTION                        | SEE SEC.   | NOTES   |
|-----|----------|-----|------------------------------------|------------|---|
| 1   | 860633   | 1   | Oil cooler                         |            |   |
| 2   |          | 1   | • Housing                          |            |   |
| 3   | 860634   | 1   | • Insert                           |            |   |
|     |          |     | • Installation Instruction 7734238 | 7734238-EN | Oil Cooler/Oil Cooler Insert-Cooling Water Connection |
| 4   | 948981   | 1   | • O-ring                           |            |   |
| 5   | 842597   | 1   | • Gasket                           |            |   |
| 6   | 842602   | 1   | • End cover                        |            |   |
| 7   | 842596   | 1   | • Flange                           |            |   |
| 8   | 955297   | 4   | • Hexagon screw                    |            |   |
| 9   | 941907   | 4   | • Spring washer                    |            |   |
| 10  | 949918   | 1   | • Shut-off cock                    |            |   |