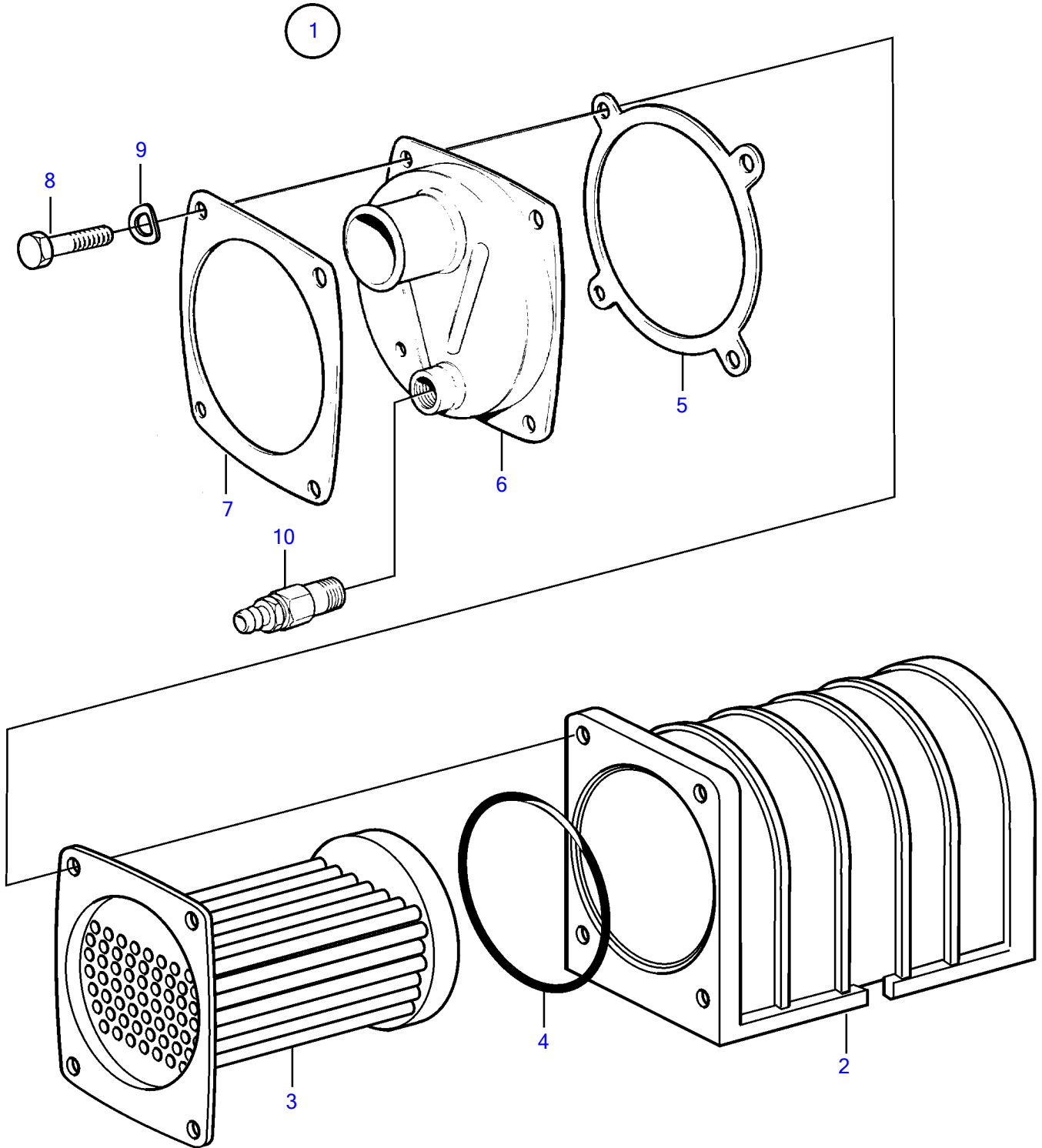


AD31L-A, AD31P-A, TAMD31L-A, TAMD31M-A, TAMD31P-A, TAMD41H-A, TMD31L-A



AD31L-A, AD31P-A, TAMD31L-A, TAMD31M-A, TAMD31P-A, TAMD41H-A, TMD31L-A

REF	PART NO.	QTY	DESCRIPTION	SEE SEC.	NOTES
1	860633	1	Oil cooler		
2		1	• Housing		
3	860634	1	• Insert		
			• Installation Instruction 7734238	7734238-EN	Oil Cooler/Oil Cooler Insert-Cooling Water Connection
4	948981	1	• O-ring		
5	842597	1	• Gasket		
6	842602	1	• End cover		
7	842596	1	• Flange		
8	955297	4	• Hexagon screw		
9	941907	4	• Spring washer		
10	949918	1	• Shut-off cock		