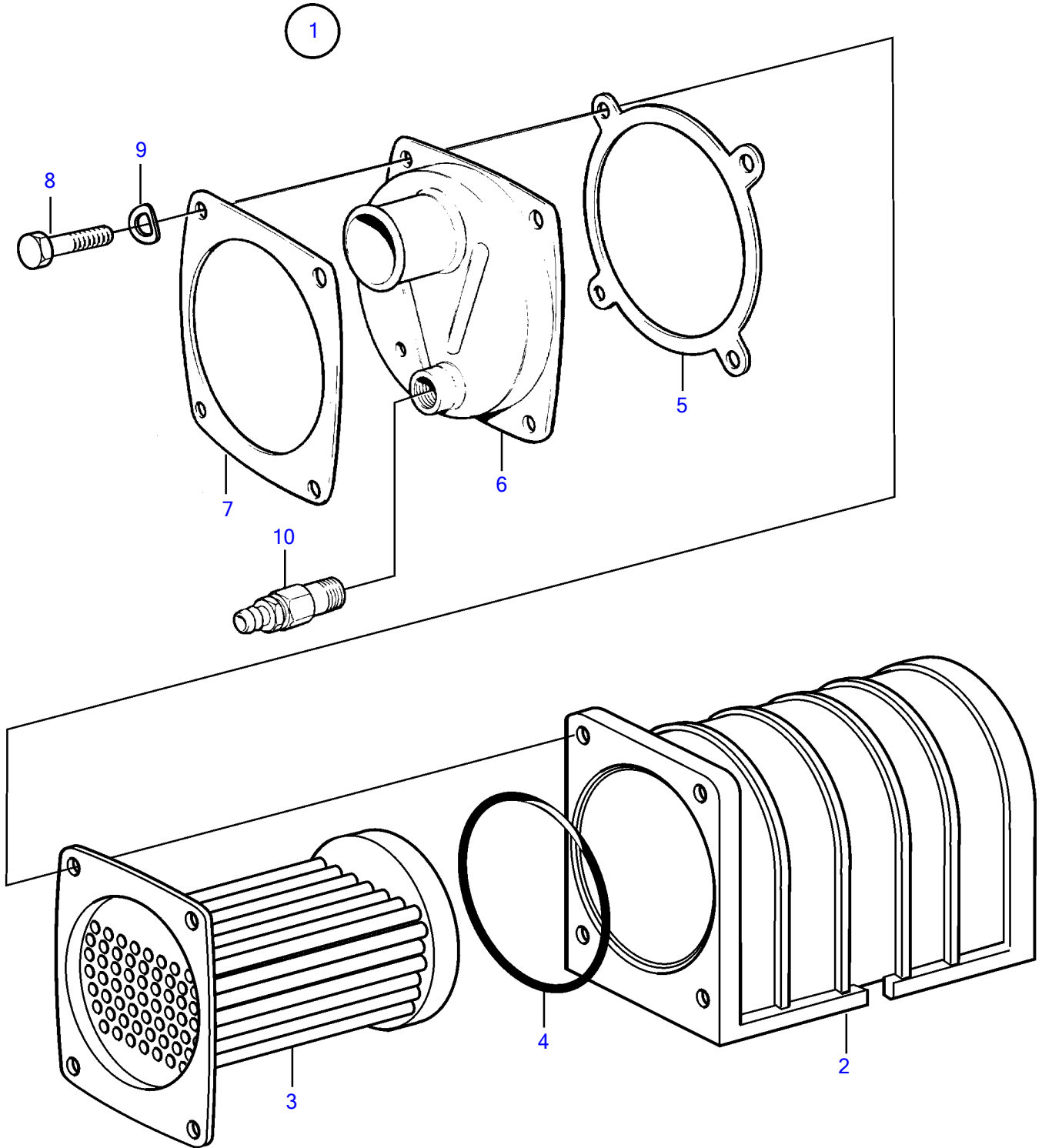


AD31D, AD31XD, TAMD31D, TMD31D



AD31D, AD31XD, TAMD31D, TMD31D

| REF | PART NO. | QTY | DESCRIPTION | SEE SEC. | NOTES |
|-----|----------|-----|------------------------------------|------------|---|
| 1 | 860633 | 1 | Oil cooler | | |
| 2 | | 1 | • Housing | | |
| 3 | 860634 | 1 | • Insert | | |
| | | | • Installation Instruction 7734238 | 7734238-EN | Oil Cooler/Oil Cooler Insert-Cooling Water Connection |
| 4 | 948981 | 1 | • O-ring | | |
| 5 | 842597 | 1 | • Gasket | | |
| 6 | 842602 | 1 | • End cover | | |
| 7 | 842596 | 1 | • Flange | | |
| 8 | 955297 | 4 | • Hexagon screw | | |
| 9 | 941907 | 4 | • Spring washer | | |
| 10 | 949918 | 1 | • Shut-off cock | | |