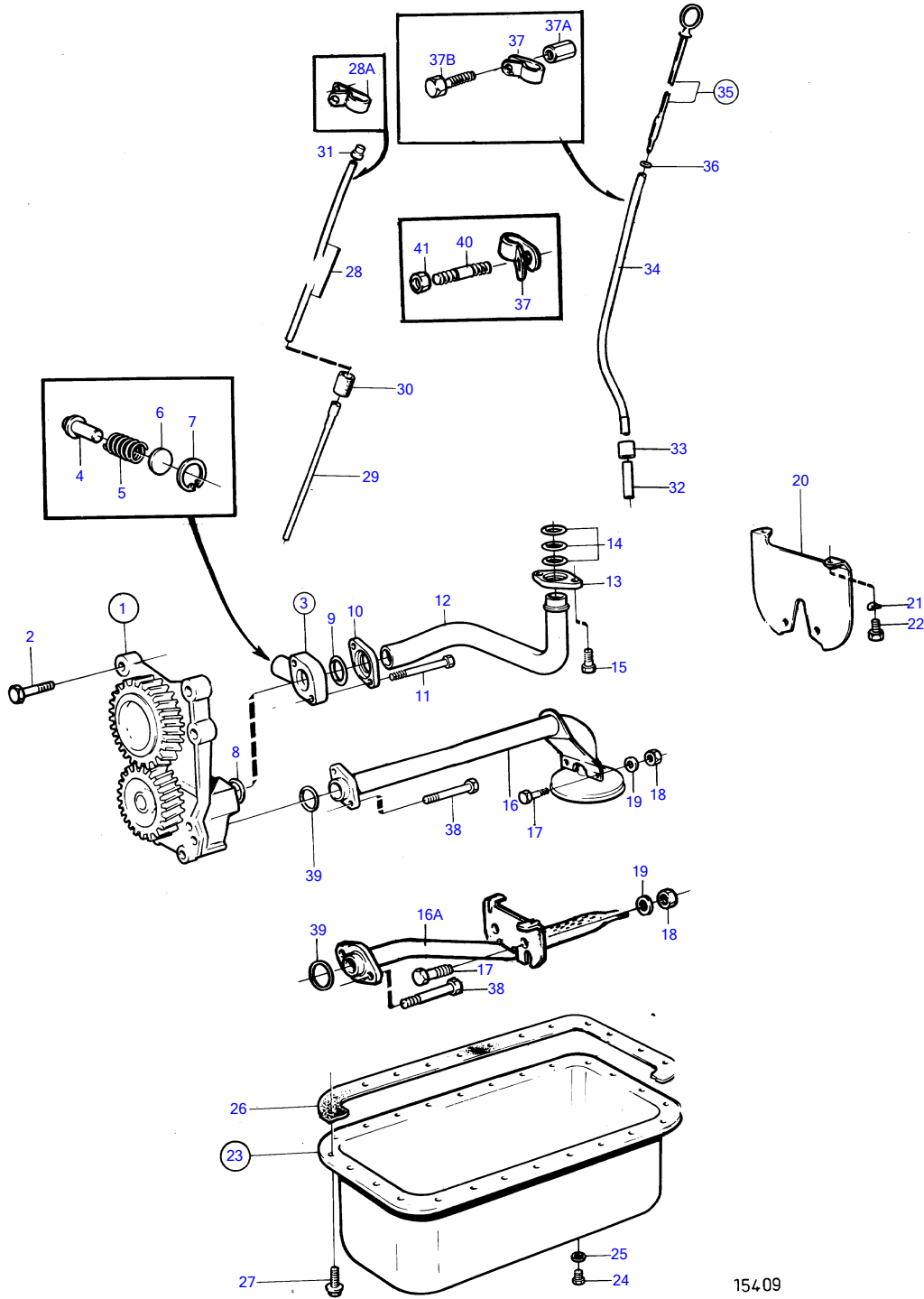


TAMD31D



15409

TAMD31D

REF	PART NO.	QTY	DESCRIPTION	SEE SEC.	NOTES
1	860721	1	Oil pump		
			•	528	
2	948217	4	Flange screw		
3	860790	1	Reduction valve		
			• Bulletin 44-32	44-32-EN	Reduction Valve D31, 41, 42
			• Bulletin 44-32A	44-32A-EN	Reduction Valve D31, 41, 42
4	471115	1	• Reduction valve		
5	1542257	1	• Spring		
6	948343	1	• Disc		
7	914506	1	• Snap ring		
8	469482	1	Sealing ring		
9	1545271	1	Sealing ring		
10	1545272	1	Flange		
11	965184	2	Flange screw		
12	860821	1	Delivery pipe		
13	1542248	1	Flange		
14	1542385	3	Sealing ring		
15	946173	2	Flange screw		
16	861095	1	Suction pipe		Early type
16A	861321	1	Suction pipe		Late type
17	946173	2	Flange screw		
18	948645	2	Flange lock nut		
19	960141	2	Washer		
20	859587	1	Baffle plate		
21	942385	2	Disc spring		
22	944926	2	Flange screw		
23	861152	1	Sump		
24	948187	1	• Plug		
25	18818	1	• Gasket		
26	861250	1	Gasket		
27	946440	26	Flange screw		
28	861099	1	Tube		
28A	946834	1	Clamp		
29	846007	1	Tube		
30	843533	1	Rubber cushion		
31	943585	1	Plug		
32	843692	1	Tube		
33	843533	1	Rubber cushion		
34	861099	1	Tube		
35	861087	1	Dipstick		
36	960155	1	• O-ring		
37	946834	1	Clamp		
38	965217	2	Flange screw		
39	469483	2	Sealing ring		
40	17942	1	Stud		
41	968862	1	Nut		