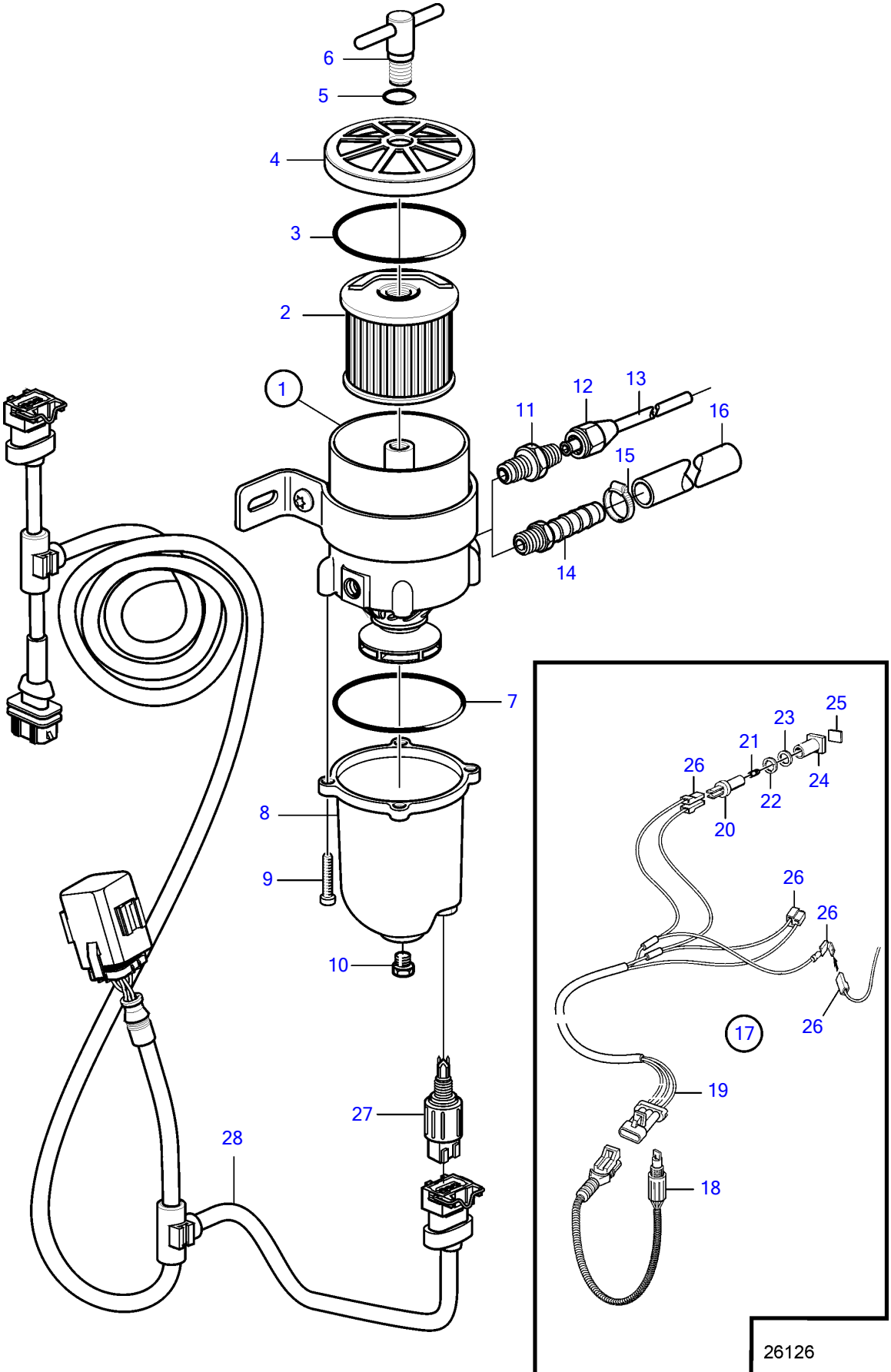


AD31D, AD31XD, TAMD31D, TMD31D



26126

AD31D, AD31XD, TAMD31D, TMD31D

REF	PART NO.	QTY	DESCRIPTION	SEE SEC.	NOTES
1	877763	1	Fuel filter		
2	1147147	1	• Fuel filter insert		2 mikron
	861014	1	• Insert		10 mikron
	3581760	1	• Insert		30 mikron
3	838504	1	• Gasket		
4		1	• Lock		
5	838505	1	• O-ring		
6		1	• Handle		
7	3838861	1	• Gasket		
8	3838849	1	• Bowl		
9	950024	4	• Cross recessed screw		
10	952075	1	• Plug		
11	954337	2	Nipple		
12	954323	2	Fitting nut		
13	1140062	2	Copper tube		
14	3825000	2	Hose nipple		
15	961664	2	Hose clamp		
16	861057	X	Fuel hose		3/8"
			• Bulletin P-23-4-4	P-23-4-4-EN	Fuel Hose P/N 861057
17	1140724	1	Level guard		
18	3588916	1	• Alarm kit		
19	881774	1	• Wiring harness		
20	808175	1	• Lamp socket		
21	19923	1	• Bulb		12V, 2W
	182059	1	• Bulb		24V, 3W
22	967583	1	• Retainer		
23	829714	1	• Sealing ring		
24	838455	1	• Retainer		
25	872591	1	• Symbol strip		
26		X	• cables and terminals	1963	
27	21614395	1	Sensor		Alternative
28	21432601	1	Wiring harness		Alternative