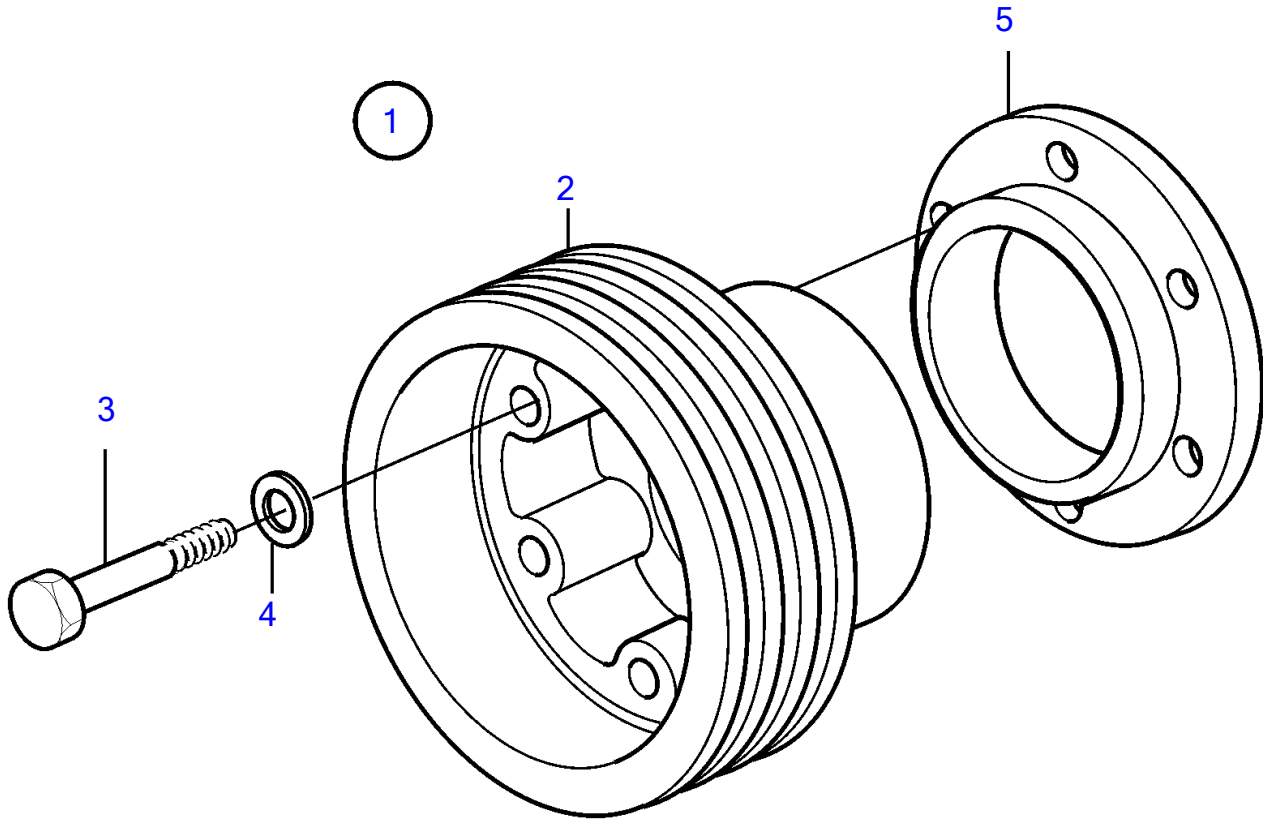


AD31D, AD31XD, TAM31D, TMD31D



AD31D, AD31XD, TAMD31D, TMD31D

REF	PART NO.	QTY	DESCRIPTION
1	861157	1	Pulley
2	861123	1	• Pulley
3	963233	6	• Hexagon screw
4	941907	6	• Spring washer
5	860870	1	• Spacer