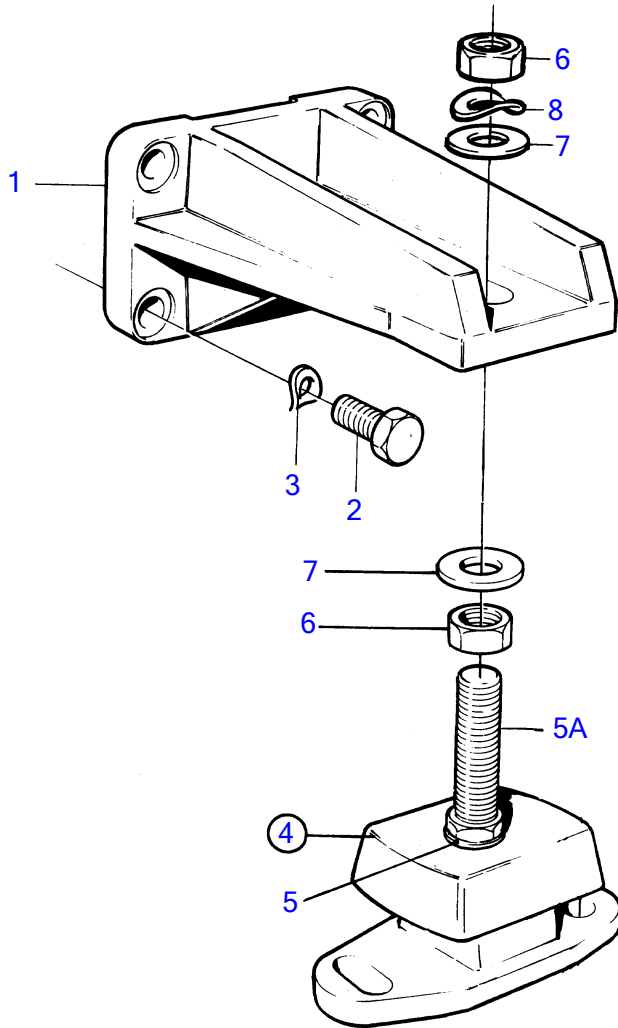


AD31D, AD31XD



11512

AD31D, AD31XD

REF	PART NO.	QTY	DESCRIPTION	NOTES
1	860953	2	Engine bracket	
2	965192	6	Flange screw	L=40mm
	965193	2	Flange screw	L=50mm
3	940280	8	Spring washer	
4	876598	2	Rubber element	
5	955900	2	• Washer	
5A	860950	2	• Adjusting screw	
6	955806	4	Hexagon nut	
7	955901	2	Washer	D=34mm
	978991	2	Washer	D=40mm
8	941913	2	Spring washer	