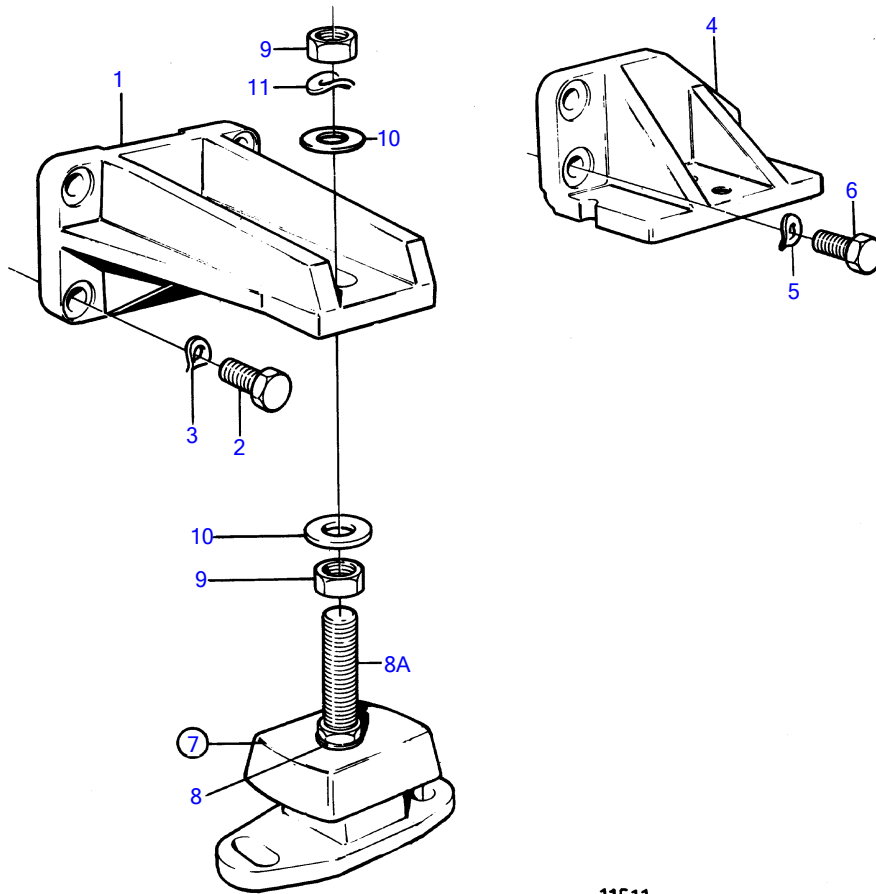


AD31D, TAMD31D



11511

AD31D, TAMD31D

| REF | PART NO. | QTY | DESCRIPTION | NOTES |
|-----|----------|-----|-----------------|-------------|
| 1 | 860953 | 2 | Engine bracket | Front |
| 2 | 965192 | 8 | Flange screw | |
| 3 | 940280 | 8 | Spring washer | |
| 4 | 860952 | 1 | Engine bracket | P, rear |
| | 860954 | 1 | Engine bracket | S.B, rear |
| 5 | 940280 | 4 | Spring washer | |
| | 955897 | 2 | Washer | |
| 6 | 966343 | 3 | Flange screw | L=35mm, S.B |
| | 966343 | 1 | Flange screw | L=35mm, P |
| | 965226 | 2 | Flange screw | L=45mm, p |
| 7 | 876598 | 4 | Rubber element | |
| 8 | 955900 | 4 | Washer | |
| 8A | 860950 | 4 | Adjusting screw | |
| 9 | 955806 | 8 | Hexagon nut | |
| 10 | 955901 | 4 | Washer | D=34mm |
| | 978991 | 4 | Washer | D=40mm |
| 11 | 941913 | 4 | Spring washer | |