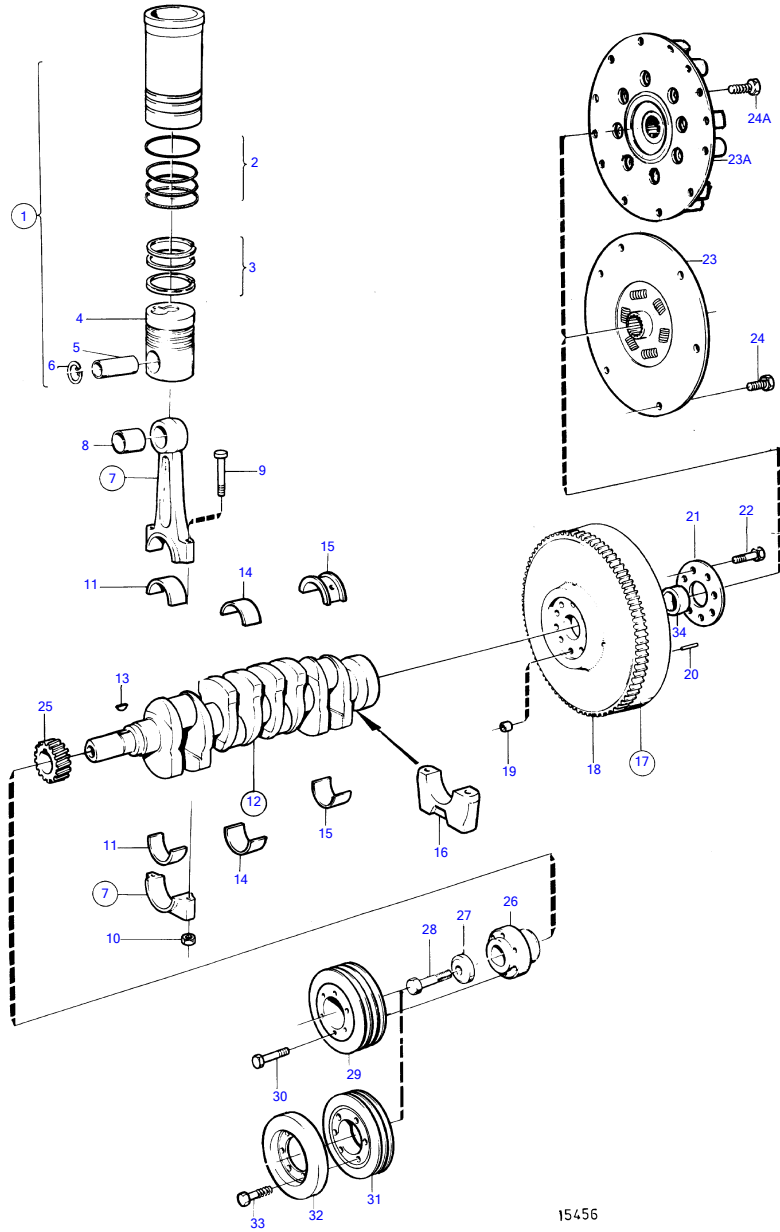


AD31D, AD31XD



15456

AD31D, AD31XD

REF	PART NO.	QTY	DESCRIPTION	NOTES
1	876261	4	Cylinder liner kit	SN-2203121341
	876784	4	Cylinder liner kit	SN2203121342-
2	275751	4	• Sealing ring kit	
3	275350	4	• Piston ring kit	For 876261
	876528	4	• Piston ring kit	For 876784
4		4	• Piston	
5	422793	4	• Piston pin	
6	914519	8	• Snap ring	
7	1542072	4	Connecting rod	SN-2203121329
	860381	4	Connecting rod	SN2203121330-
8	1542076	4	• Bushing	SN-2203121329
	860194	4	• Bushing	SN2203121330-
9	1542077	8	• Connecting rod bolt	
10	1542078	8	• Nut	
11	876511	4	Big-end bearing kit	Std D
	876512	4	Big-end bearing kit	U.S=0,25mm
	876513	4	Big-end bearing kit	U.S=0.50mm
	876514	4	Big-end bearing kit	U.S=0.75mm
12	860614	1	Crankshaft	
13	910118	1	• Woodruff key	
14	876515	4	Main bearing kit	Std D
	876516	4	Main bearing kit	U.S=0,25mm
	876517	4	Main bearing kit	U.S=0,50mm
	876518	4	Main bearing kit	U.S=0,75mm
15	876519	1	Thrust bearing	Std D
	876520	1	Thrust bearing	O.S=0,10mm/U.S=0,25mm
	876521	1	Thrust bearing	O.S=0,20mm/U.S=0,50mm
	876522	1	Thrust bearing	O.S=0,20mm/U.S=0,75mm
16		5	Main bearing cap	
17	861172	1	Flywheel	
18	829462	1	• Ring gear	
19	415311	1	• Guide sleeve	
20	191873	3	• Locating pin	
21	1542093	1	Bolt plate	Early type
22	1544147	8	Screw	Use together with bolt plate 1542093., Early type
	861671	1	Repair kit	The kit includes 8 pcs screw., Shall not be used together with bolt plate 1542093., Late type
23	855389	1	Absorber	
24	946173	6	Flange screw	
25	1542305	1	Gear	
26	1542196	1	Hub	
27	420124	1	Washer	
28	470366	1	Flange screw	(1542149)
29	838725	1	Vibration damper	AD31D
30	948217	6	Flange screw	AD31D
31	859614	1	Pulley	AD31XD
32	860944	1	Vibration damper	AD31XD
33	965179	6	Flange screw	AD31XD
34	872761	1	Bushing	