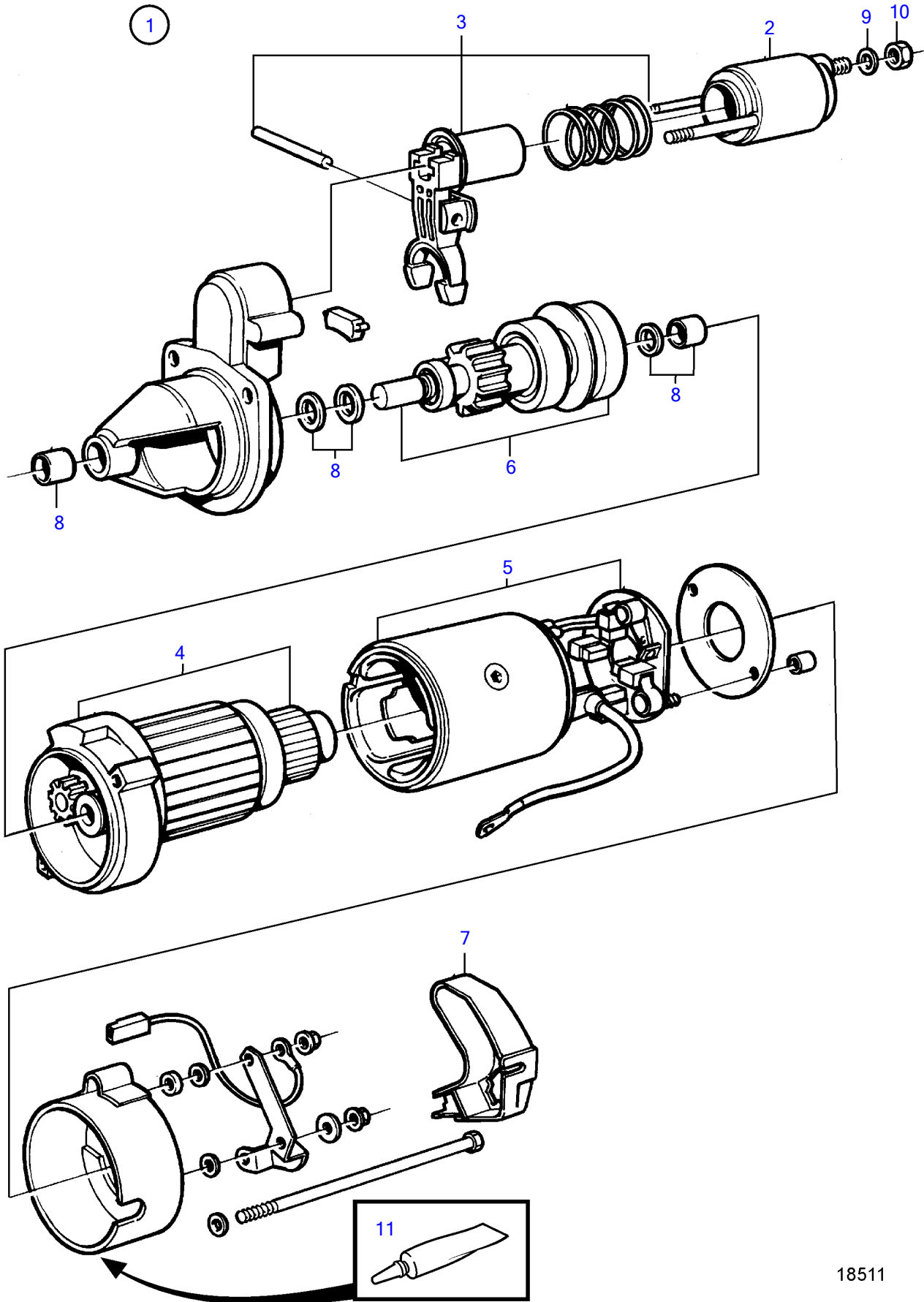


AD31D, AD31XD, TAMD31D, TMD31D



18511

AD31D, AD31XD, TAMD31D, TMD31D

| REF | PART NO. | QTY | DESCRIPTION          | NOTES                |
|-----|----------|-----|----------------------|----------------------|
| 1   | 859252   | 1   | Starter motor        | 2-pole., E.U=3803118 |
| 2   | 859618   | 1   | • Solenoid switch    |                      |
| 3   | 859619   | 1   | • Intermediate lever |                      |
| 4   | (859621) | 1   | • Rotor              | Obsolete part        |
| 5   | (859622) | 1   | • Field winding      | Obsolete part        |
| 6   | 859623   | 1   | • Starter pinion     |                      |
| 7   | 860439   | 1   | • Cover              |                      |
| 8   | 859620   | 1   | • Repair kit         |                      |
| 9   | 941907   | 1   | Spring washer        |                      |
| 10  | 955782   | 1   | Hexagon nut          |                      |
| 11  | 1161277  | X   | Sealant              | Black, 20g           |
|     | 1161231  | X   | Sealant              | Black, 0.31L         |