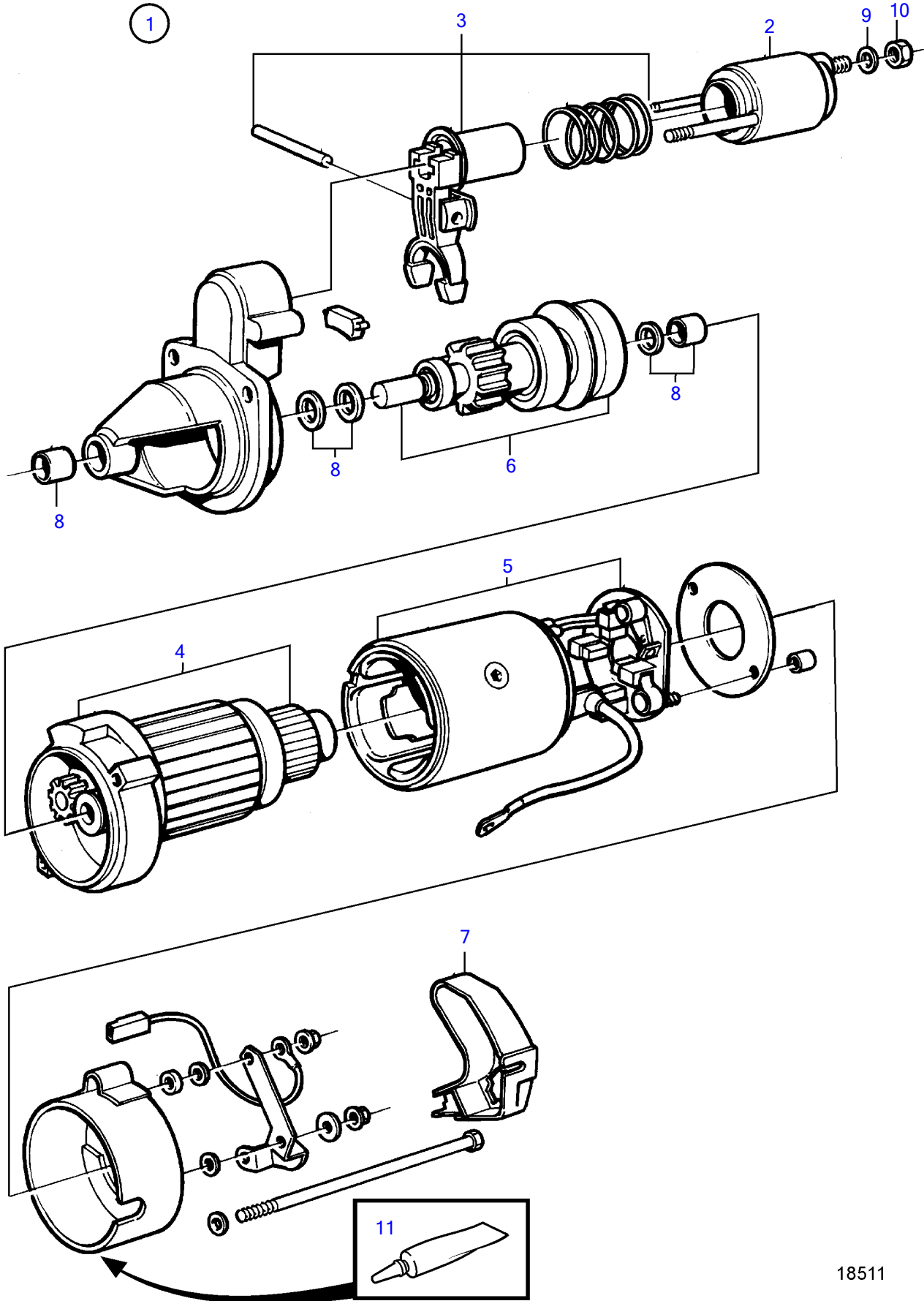


AD31D, AD31XD, TAMD31D, TMD31D



18511

AD31D, AD31XD, TAMD31D, TMD31D

REF	PART NO.	QTY	DESCRIPTION	NOTES
1	859252	1	Starter motor	2-pole., E.U=3803118
2	859618	1	• Solenoid switch	
3	859619	1	• Intermediate lever	
4	(859621)	1	• Rotor	Obsolete part
5	(859622)	1	• Field winding	Obsolete part
6	859623	1	• Starter pinion	
7	860439	1	• Cover	
8	859620	1	• Repair kit	
9	941907	1	Spring washer	
10	955782	1	Hexagon nut	
11	1161277	X	Sealant	Black, 20g
	1161231	X	Sealant	Black, 0.31L