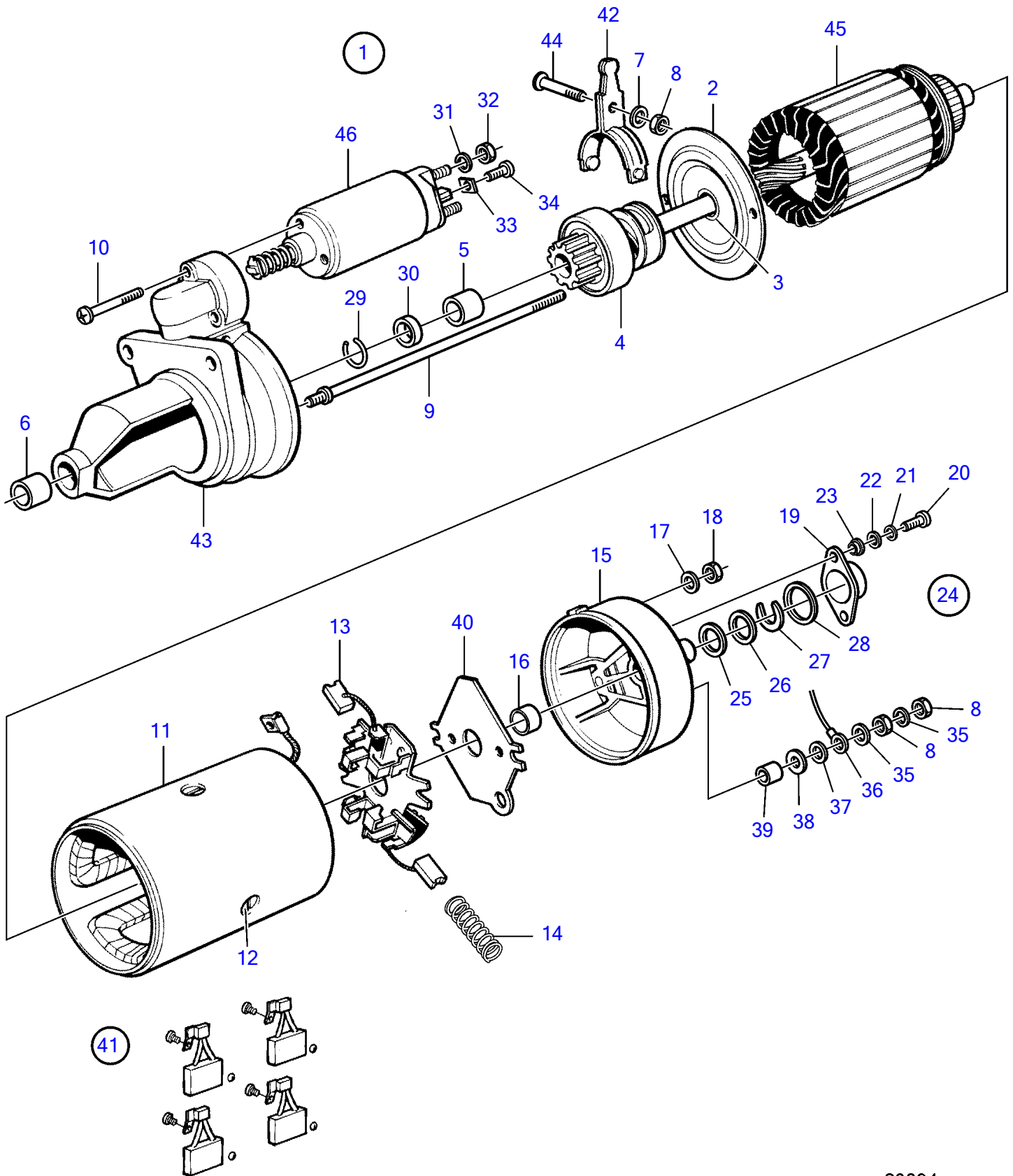


AD31D, AD31XD, TAMD31D, TMD31D



23094

AD31D, AD31XD, TAMD31D, TMD31D

| REF | PART NO.  | QTY | DESCRIPTION            | SEE SEC. | NOTES         |
|-----|-----------|-----|------------------------|----------|---------------|
| 1   | 838987    | 1   | Starter motor          |          | 24V           |
| 2   | (6210770) | 1   | • Bearing shield       |          | Obsolete part |
| 3   | 6644949   | 1   | • • Bearing bushing    |          |               |
| 4   | 1696543   | 1   | • Starter pinion       |          |               |
| 5   | 6210772   | 1   | • • Bearing bushing    |          |               |
| 6   | 48109     | 1   | • Bearing bushing      |          |               |
| 7   | 941907    | 1   | • Spring washer        |          |               |
| 8   | 947941    | 3   | • Hexagon nut          |          |               |
| 9   | (6210774) | 2   | • Screw                |          | Obsolete part |
| 10  | (1696544) | 3   | • Screw                |          | Obsolete part |
| 11  | (6210775) | 1   | • Field winding        |          | Obsolete part |
| 12  | 6211936   | 4   | • Screw                |          |               |
| 13  | 858686    | 1   | • Brush retainer       |          |               |
| 14  | 6211874   | 4   | • Spring               |          |               |
| 15  | (858687)  | 1   | • Bearing shield       |          | Obsolete part |
| 16  | 6210777   | 1   | • • Bearing bushing    |          |               |
| 17  | (86287)   | 2   | • Washer               |          | Obsolete part |
| 18  | 955781    | 2   | • Hexagon nut          |          |               |
| 19  | (858688)  | 1   | • Cover                |          | Obsolete part |
| 20  | 969407    | 2   | • 6 point socket screw |          |               |
| 21  | 941905    | 2   | • Spring washer        |          |               |
| 22  | (858696)  | 2   | • Washer               |          | Obsolete part |
| 23  | (858695)  | 2   | • Bushing              |          | Obsolete part |
| 24  | 829707    | 1   | • Small parts kit      |          |               |
| 25  |           | 1   | • • Spacer             |          |               |
| 26  |           | 1   | • • Spacer             |          |               |
| 27  |           | 1   | • • Lock washer        |          |               |
| 28  |           | 1   | • • Gasket             |          |               |
| 29  |           | 1   | • • Lock ring          |          |               |
| 30  |           | 1   | • • Washer             |          |               |
| 31  |           | 2   | • Washer               |          |               |
| 32  | 971080    | 2   | • Hexagon nut          |          |               |
| 33  | (858689)  | 1   | • Clamping brace       |          | Obsolete part |
| 34  | 956058    | 1   | • Cross recessed screw |          |               |
| 35  | 941907    | 2   | • Spring washer        |          |               |
| 36  |           | X   | • electrical materials | 1963     |               |
| 37  | 955894    | 1   | • Washer               |          |               |
| 38  | (858693)  | 1   | • Insulating sheet     |          | Obsolete part |
| 39  | (858692)  | 1   | • Bushing              |          | Obsolete part |
| 40  | (858691)  | 1   | • Isolation plate      |          | Obsolete part |
| 41  | 6210778   | 1   | • Brush set            |          |               |
| 42  | (1696545) | 1   | • Engagement lever     |          | Obsolete part |
| 43  | (1696578) | 1   | • Bearing shield       |          | Obsolete part |
| 44  | 6210773   | 1   | • Screw                |          |               |
| 45  | 6210769   | 1   | • Anchor               |          |               |
| 46  | 858697    | 1   | • Solenoid             |          |               |