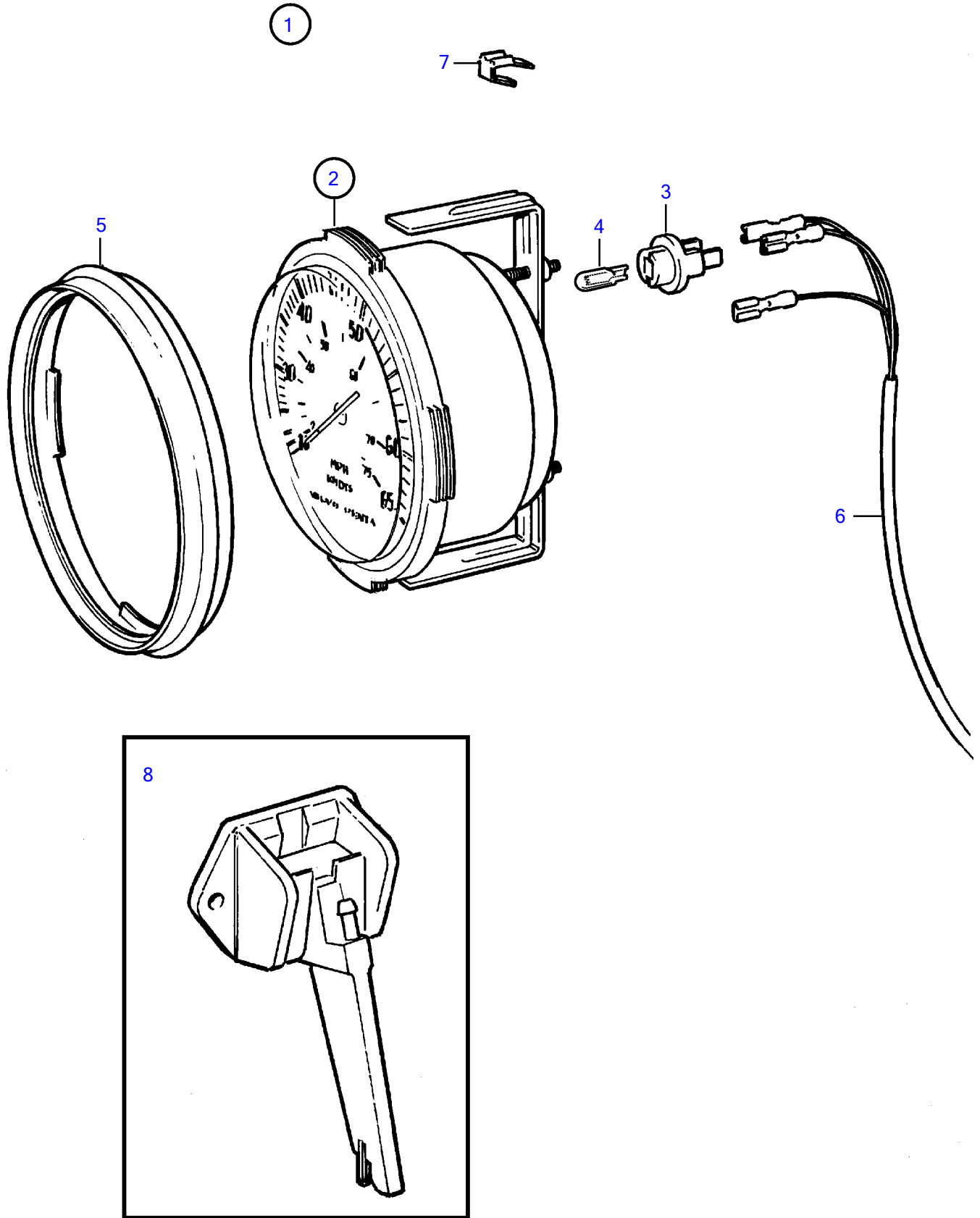


AD31D, AD31XD, TAMD31D, TMD31D



AD31D, AD31XD, TAMD31D, TMD31D

REF	PART NO.	QTY	DESCRIPTION	NOTES
1	1140433	1	Pressure log kit	
2	856810	1	• Pressure log	
3	863945	1	• • Lamp socket	
4	863946	1	• • Bulb	
5	856805	1	• Ring	
6	856865	1	• Cable kit	
7	943950	1	• Switch	
8	(856818)	1	• Connector kit	Obsolete part