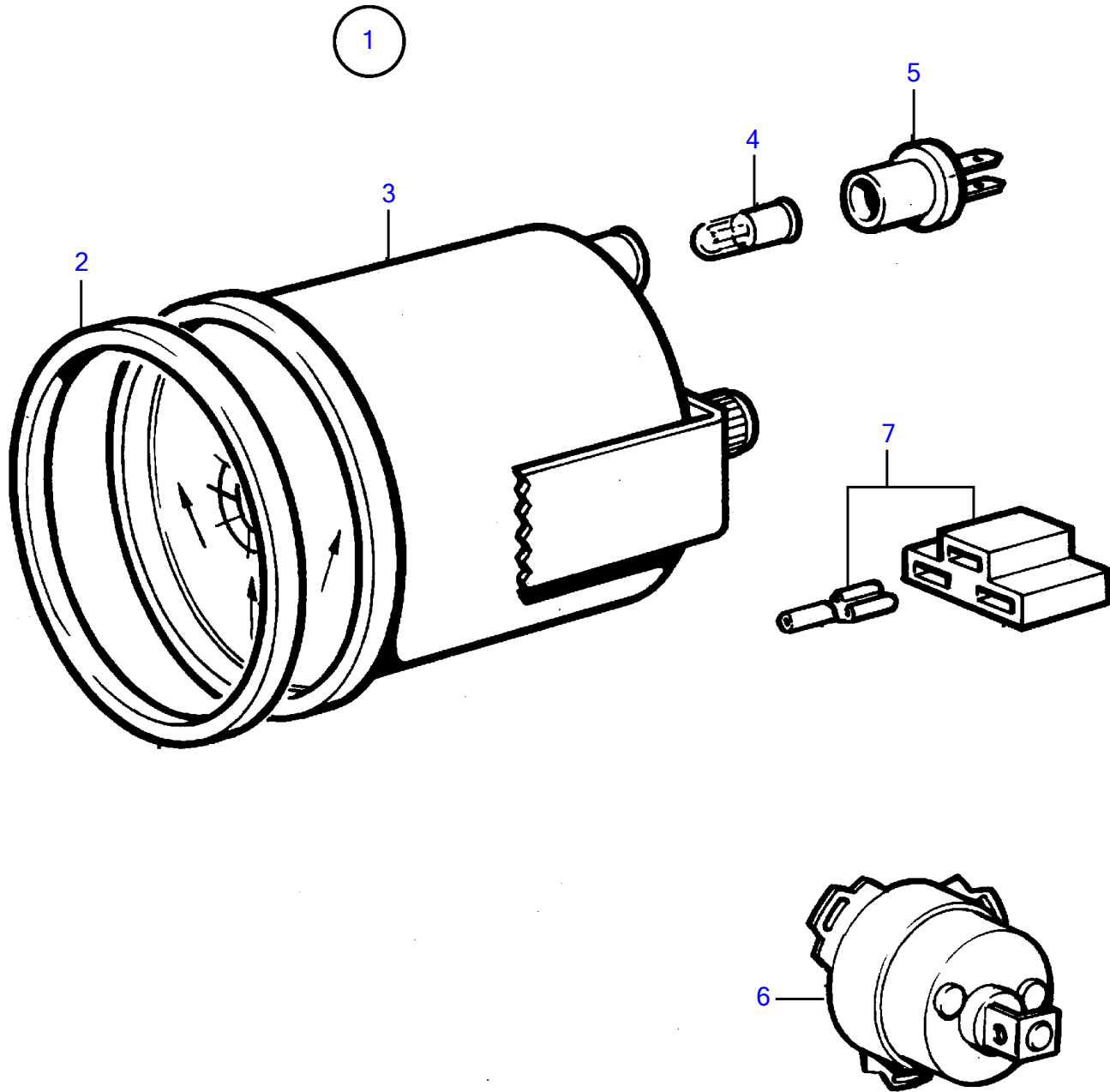


AD31D, AD31XD, TAMD31D, TMD31D



AD31D, AD31XD, TAMD31D, TMD31D

| REF | PART NO. | QTY | DESCRIPTION | SEE SEC. | NOTES |
|-----|----------|-----|------------------------|----------|---|
| 1 | 1140465 | 1 | Rudder indicator kit | | |
| 2 | 858643 | 1 | • Front ring | | |
| 3 | 863944 | 1 | • Rudder indicator | | |
| 4 | 863946 | 1 | • • Bulb | | |
| 5 | 863945 | 1 | • • Lamp socket | | For instrument 828698 should white bulb 19923 and socket 808175 be mounted. |
| 6 | 837772 | 1 | • Position sensor | | |
| 7 | | X | • electrical materials | 1963 | |