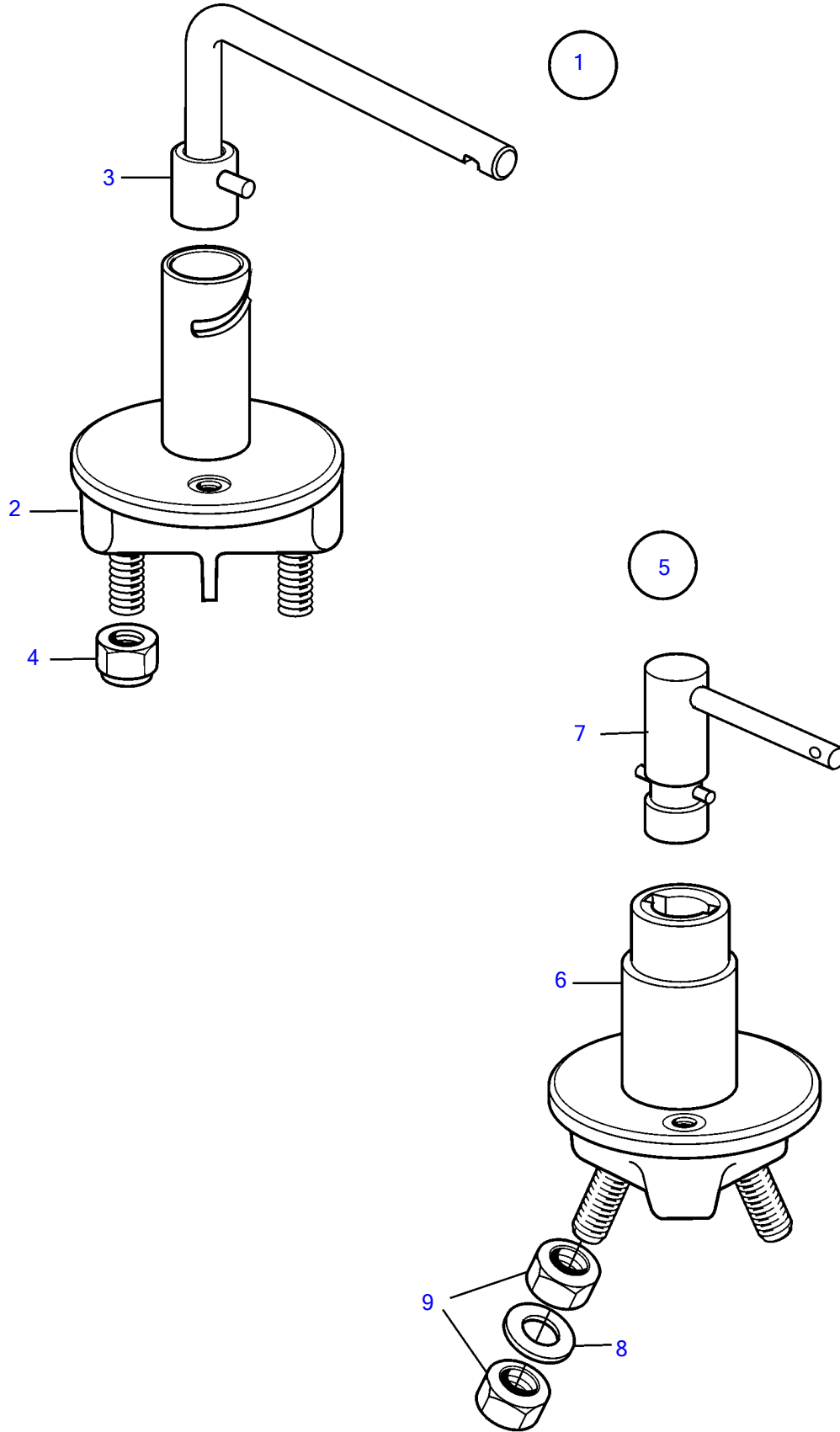


AD31D, AD31XD, TAM31D, TMD31D



AD31D, AD31XD, TAMD31D, TMD31D

REF	PART NO.	QTY	DESCRIPTION	NOTES
1	870980	1	Main switch	Replaced by 1140319
2		1	• Switch	
3	243700	1	• Handle	Replaced by 1140319
4	971071	2	• Hexagon nut	
5	1140319	1	Battery main switch	
6		1	• Switch	
7	1140427	1	• Cock handle	
8	1140428	2	• Washer	
9	17602	4	• Hexagon nut	