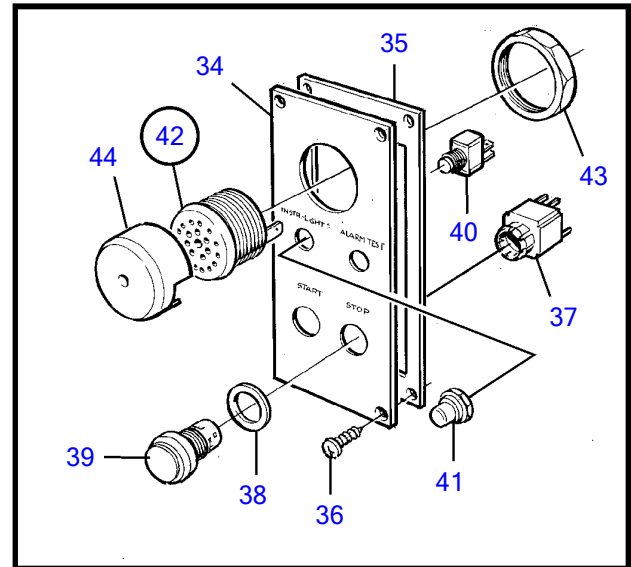
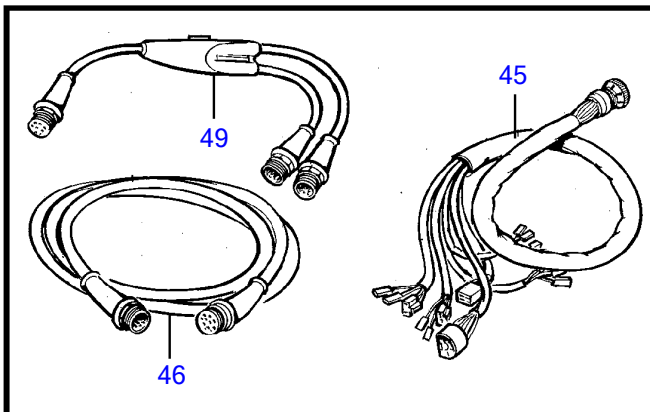
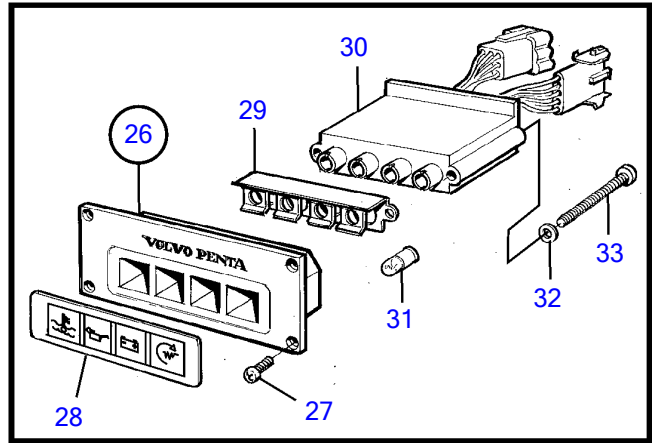
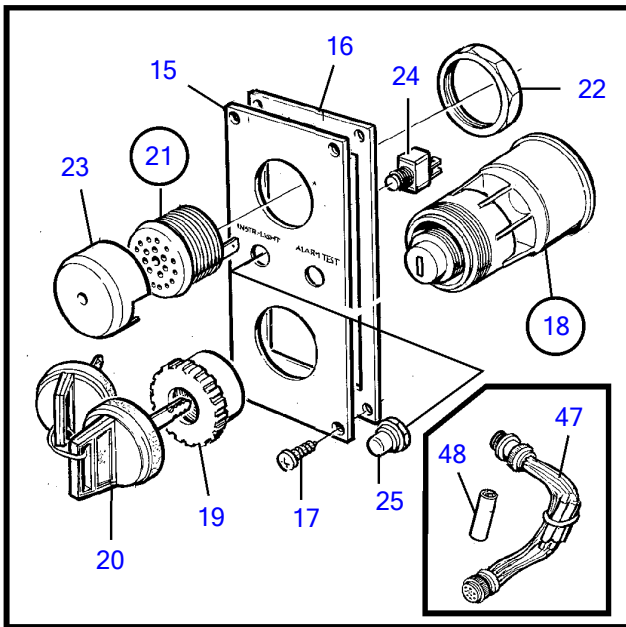
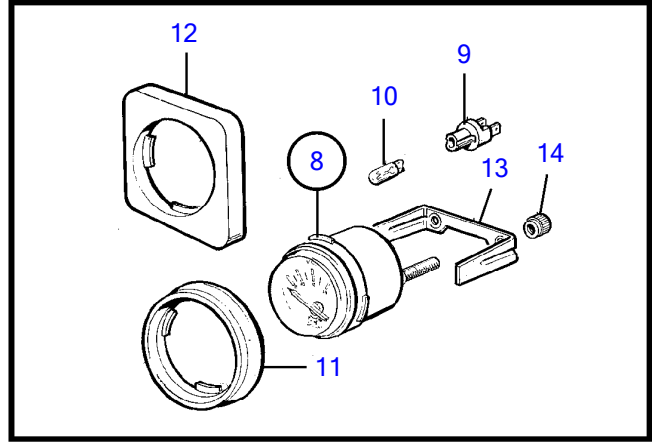
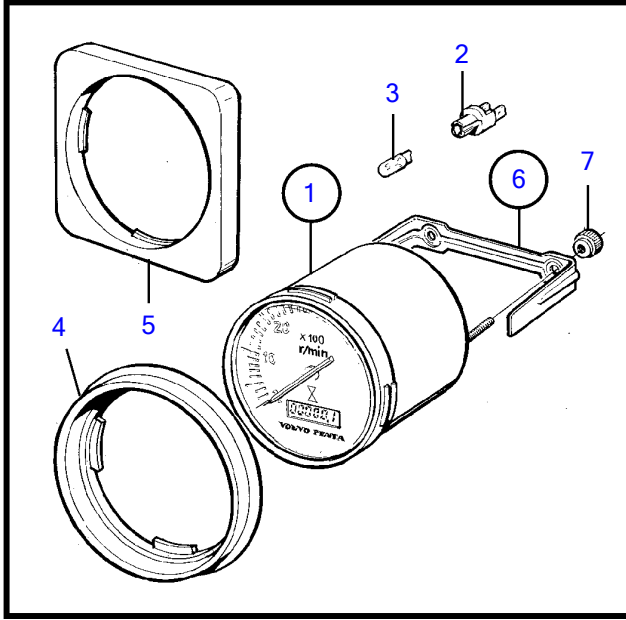


AD31D, AD31XD, TAMD31D, TMD31D



AD31D, AD31XD, TAM31D, TMD31D

REF	PART NO.	QTY	DESCRIPTION	SEE SEC.	NOTES
1	873992	1	Tachometer kit		4600 rpm
2	863945	1	• Lamp socket		
3	863946	1	• Bulb		12V, 1,2W red
	863947	1	• Bulb		24V, 1,2W red
4	873517	1	Ring		Alt., D=72mm
5	873210	1	Instrument frame		Alt, D=75mm
6	873208	1	Brace kit		
7		2	• Nut		
8	873195	1	Thermometer		12V, 40-120°C
	873197	1	Oil pressure gauge		10x100kPa
	873199	1	Voltmeter		12V
9	863945	1	• Lamp socket		
10	863946	1	• Bulb		12V, 1,2W red
11	858643	1	Front ring		Alt, D=52mm
12	856822	1	Instrument frame		Alt, D=52mm
13	873207	1	Brace kit		
14		2	• Nut		
15	873271	1	Panel		
16	873273	1	Gasket		
17	828647	4	Screw		
18	3587072	1	Starter switch		(864277)
19	859955	1	• Plastic nut		
20	859953	2	• Key		State key code when ordering.
			• Bulletin 49-30	49-30-EN	Key P/N 859953
21	828587	1	Buzzer		
22		1	• Nut		
23	858795	1	Protecting casing		
24	828584	1	Toggle switch		Alarm test
	828585	1	Toggle switch		Instr. light
25	828586	2	Nut		
26	858876	1	Symbol panel		858876 includes symbol plate 858645.
		1	Symbol panel		
27	828647	4	• Screw		
28	858645	1	• Symbol strip		For: coolant temperature, oil pressure, battery charging and preheater., Included in 858876.
	873559	1	Symbol strip		For: oil level, coolant level, water in fuel filter and extra alarm., Not included in 858876
29	828784	1	Reflector		
30	873737	1	Electronic unit		For: coolant temperature, oil pressure, battery charging and preheater., 12/24V
	873211	1	Electronic unit		For: oil level, coolant level, water in fuel filter and extra alarm., 12/24V
31	19923	4	Bulb		12V 2W
	182059	4	Bulb		24V, 3W
32	941904	2	Spring washer		
33	(941615)	2	Cross recessed screw		Obsolete part
34	873272	1	Panel		
35	873273	1	Gasket		
36	828647	4	Screw		
37	876950	1	Push button kit		Spare part design., Start, green
	876950	1	Push button kit		Spare part design., Stop, red
38		2	• Gasket		
39		2	• Push button		
40	828584	1	Toggle switch		Alarm test
	828585	1	Toggle switch		Instr. light
41	828586	2	Nut		
42	828587	1	Buzzer		
43		1	• Nut		
44	858795	1	Protecting casing		
45	873579	1	Wiring harness		Main station
	873580	1	Wiring harness		Fly Bridge
46	873568	1	Diode cable		For 2-pole electrical system.
47		1	• Diode		For 2-pole electrical system., (1624394)
48	846648	X	Extension cable'verl		L=3.0m

