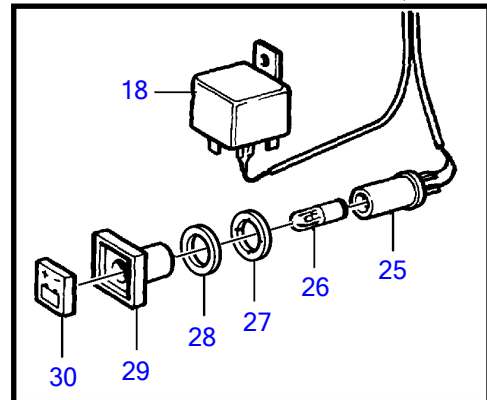
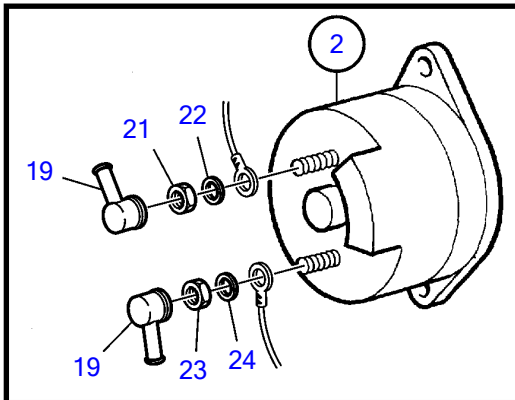
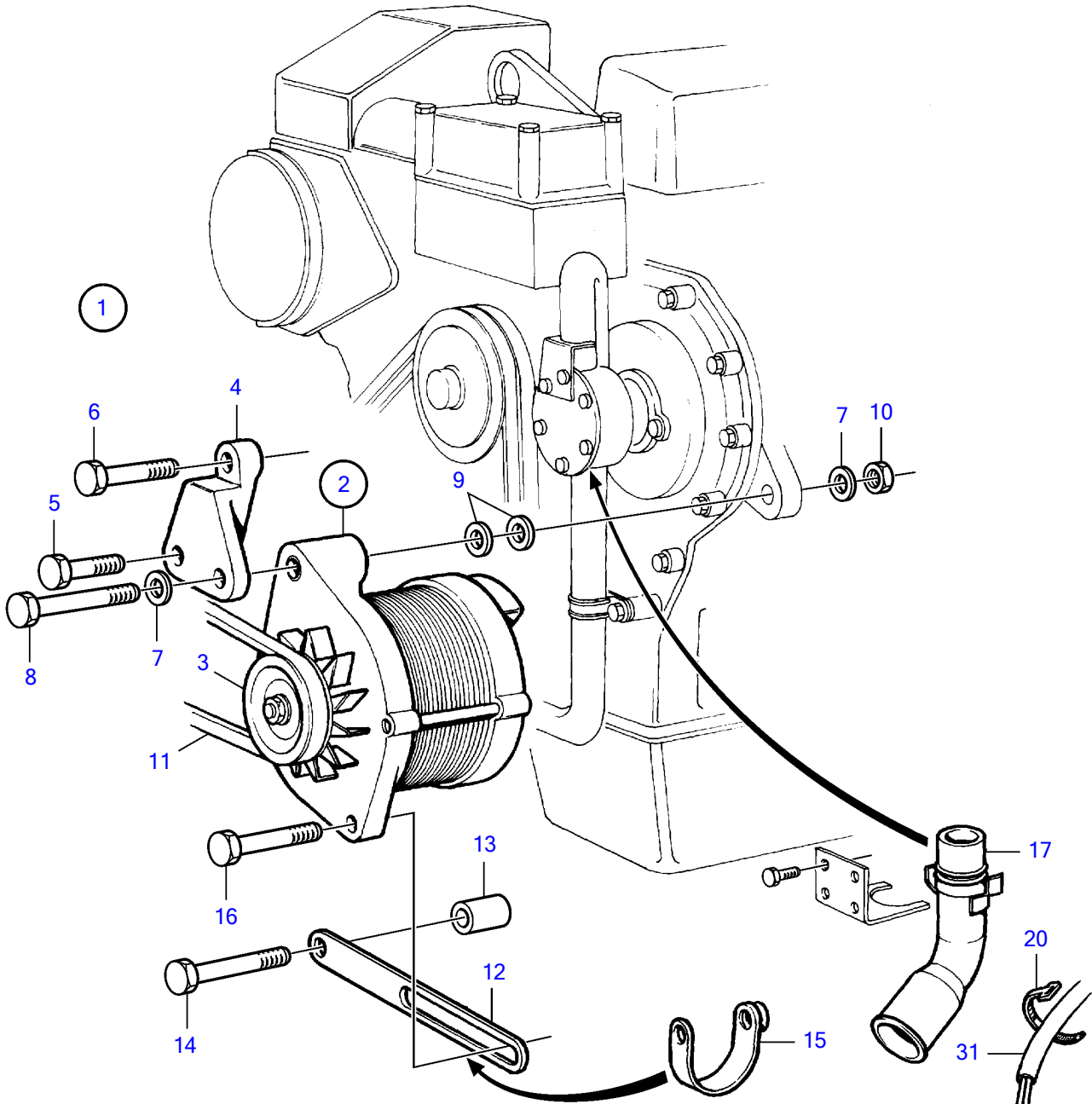


AD31D, AD31XD, TAMD31D, TMD31D



AD31D, AD31XD, TAMD31D, TMD31D

REF	PART NO.	QTY	DESCRIPTION	SEE SEC.	NOTES
1	858679	1	Alternator kit		24V 25A
2				1029	
				448	
	849602	1	Alternator		28V 30A
				1733	
	849561	1	Alternator		28V 30A
	3803066	1	Alternator, exch, exch		28V 30A
	872927	1	Alternator		
	3803619	1	Alternator, exch, exch		
				4942	
3	841813	1	Pulley		
4	843057	1	Bracket		
5	965183	1	Flange screw		
6	965180	1	Flange screw		
7	941908	2	Spring washer		
8	955332	1	Hexagon screw		
9	192495	2	Washer		
10	971095	1	Flange nut		
11	967109	1	V-belt		
12	843055	1	Tensioner		
13	843075	1	Spacer sleeve		
14	965183	1	Flange screw		
15	466735	1	Tensioning eyelet		
16	947760	1	Flange screw		
17	858559	1	Hose connection		
18	872300	1	Relay		
19	842150	1	Protective cap		
20	948210	X	Cable tie		
21	955780	1	Hexagon nut		
22	941905	1	Spring washer		
23	955781	1	Hexagon nut		
24	941906	1	Spring washer		
25	808175	1	Lamp socket		
26	182059	1	Bulb		
27	967583	1	Retainer		
28	829714	1	Sealing ring		
29	838455	1	Retainer		
30	838457	1	Symbol strip		
31		X	cables and terminals		