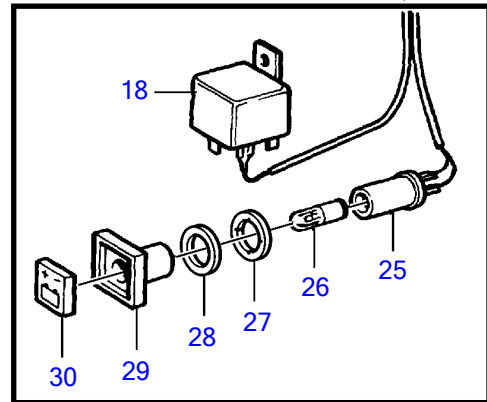
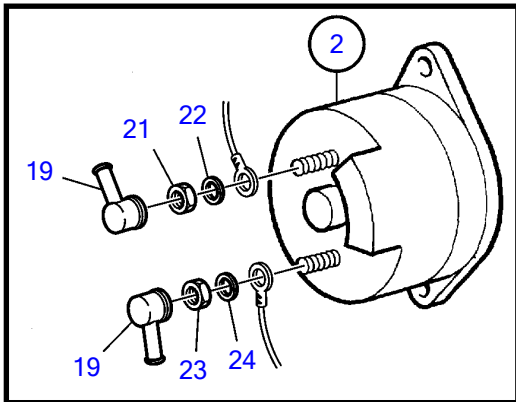
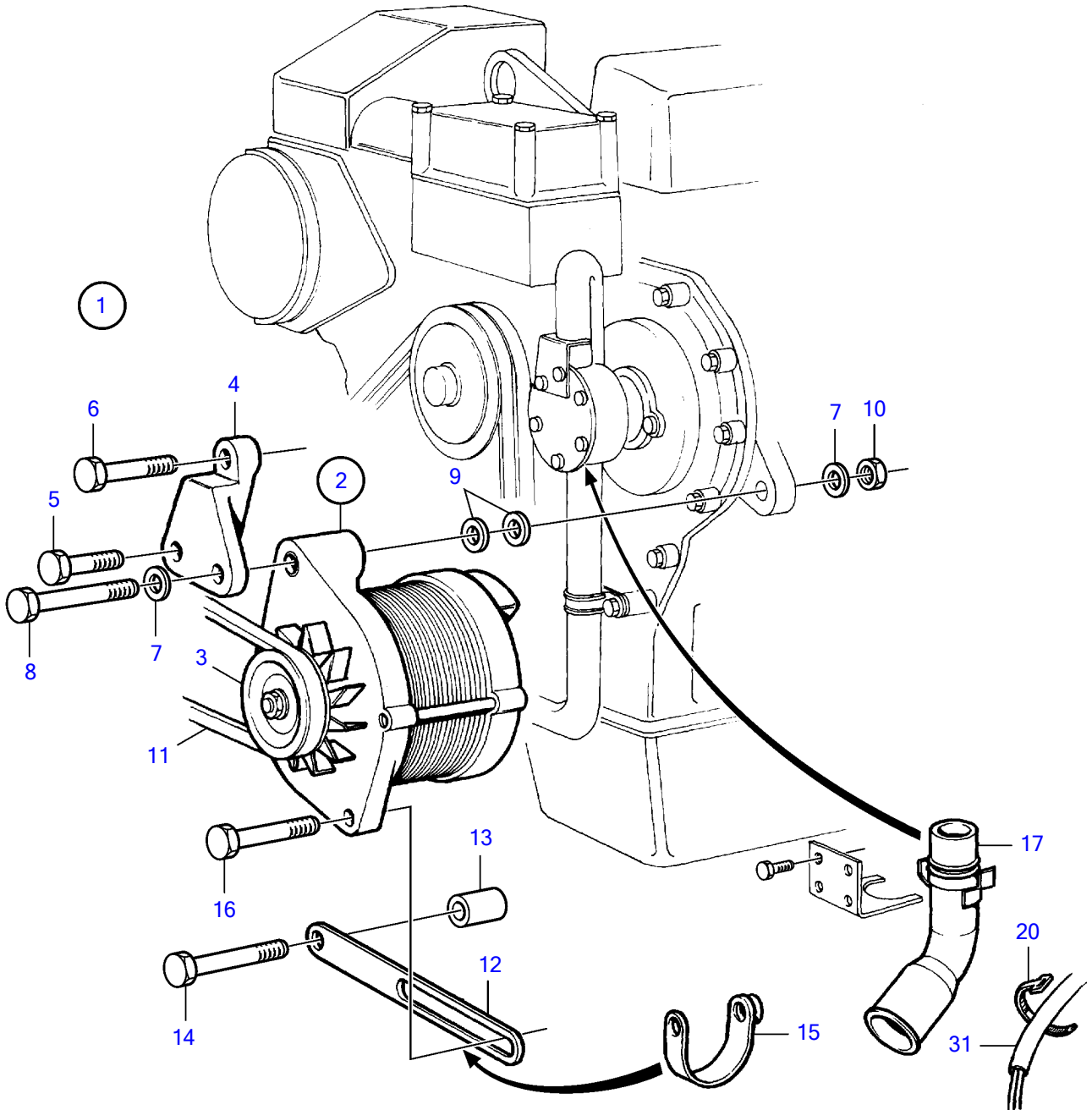


AD31D, AD31XD, TAMD31D, TMD31D



AD31D, AD31XD, TAMD31D, TMD31D

REF	PART NO.	QTY	DESCRIPTION	SEE SEC.	NOTES
1	(858620)	1	Alternator kit		12V 50A, Obsolete part
2	872926	1	• Alternator		14V 50A
			• •		Replaced by 872235
			•	1029	
	872235	1	• Alternator		14V 60A
	3803260	1	• Alternator, exch, exch		14V 60A
			• •		
			•	448	
			• •		
			•	1733	
			• • parts not sold separately		
			• •		
			•	4942	
3	841813	1	• Pulley		
4	843057	1	• Bracket		
5	965183	1	• Flange screw		
6	965180	1	• Flange screw		
7	941908	2	• Spring washer		
8	955332	1	• Hexagon screw		
9	192495	2	• Washer		
10	971095	1	• Flange nut		
11	967109	1	• V-belt		
12	843055	1	• Tensioner		
13	843075	1	• Spacer sleeve		
14	965183	1	• Flange screw		
15	466735	1	• Tensioning eyelet		
16	947760	1	• Flange screw		
17	858559	1	• Hose connection		
18	872300	1	• Relay		
19	842150	1	• Protective cap		
20	948210	X	• Cable tie		
21	955780	1	• Hexagon nut		
22	941905	1	• Spring washer		
23	955781	1	• Hexagon nut		
24	941906	1	• Spring washer		
25	808175	1	• Lamp socket		
26	19923	1	• Bulb		
27	967583	1	• Retainer		
28	829714	1	• Sealing ring		
29	838455	1	• Retainer		
30	838457	1	• Symbol strip		
31		X	• cables and terminals		